



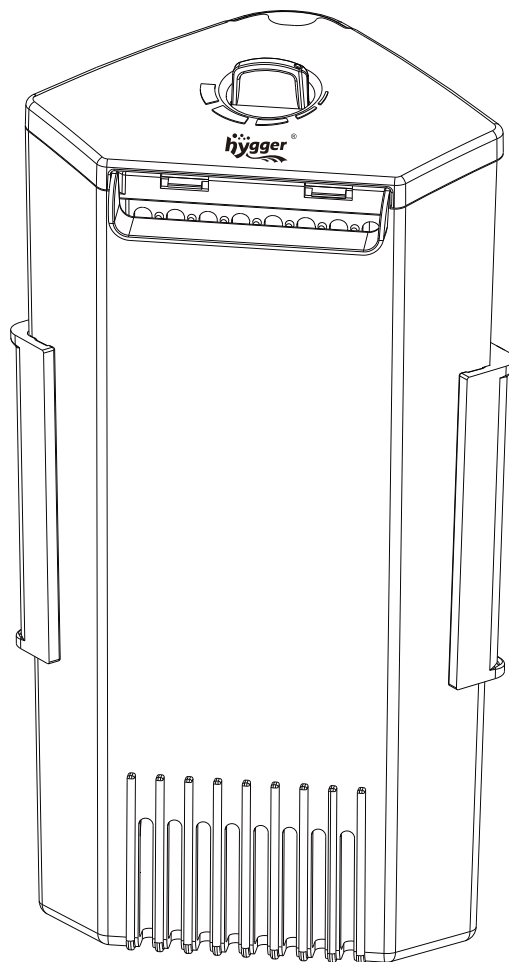
E-mail: [distributor@hyggeraquarium.com](mailto:distributor@hyggeraquarium.com)

Website: [www.hyggeraquarium.com](http://www.hyggeraquarium.com)



# HG-002 USER MANUAL

## HYGGER INTERNAL FILTER FOR AQUARIUMS



E-mail: [distributor@hyggeraquarium.com](mailto:distributor@hyggeraquarium.com)

Hygger air-operated internal filter with new design for your aquarium! Please read this manual carefully before first use and follow instructions.

# 1. PRODUCT FEATURES

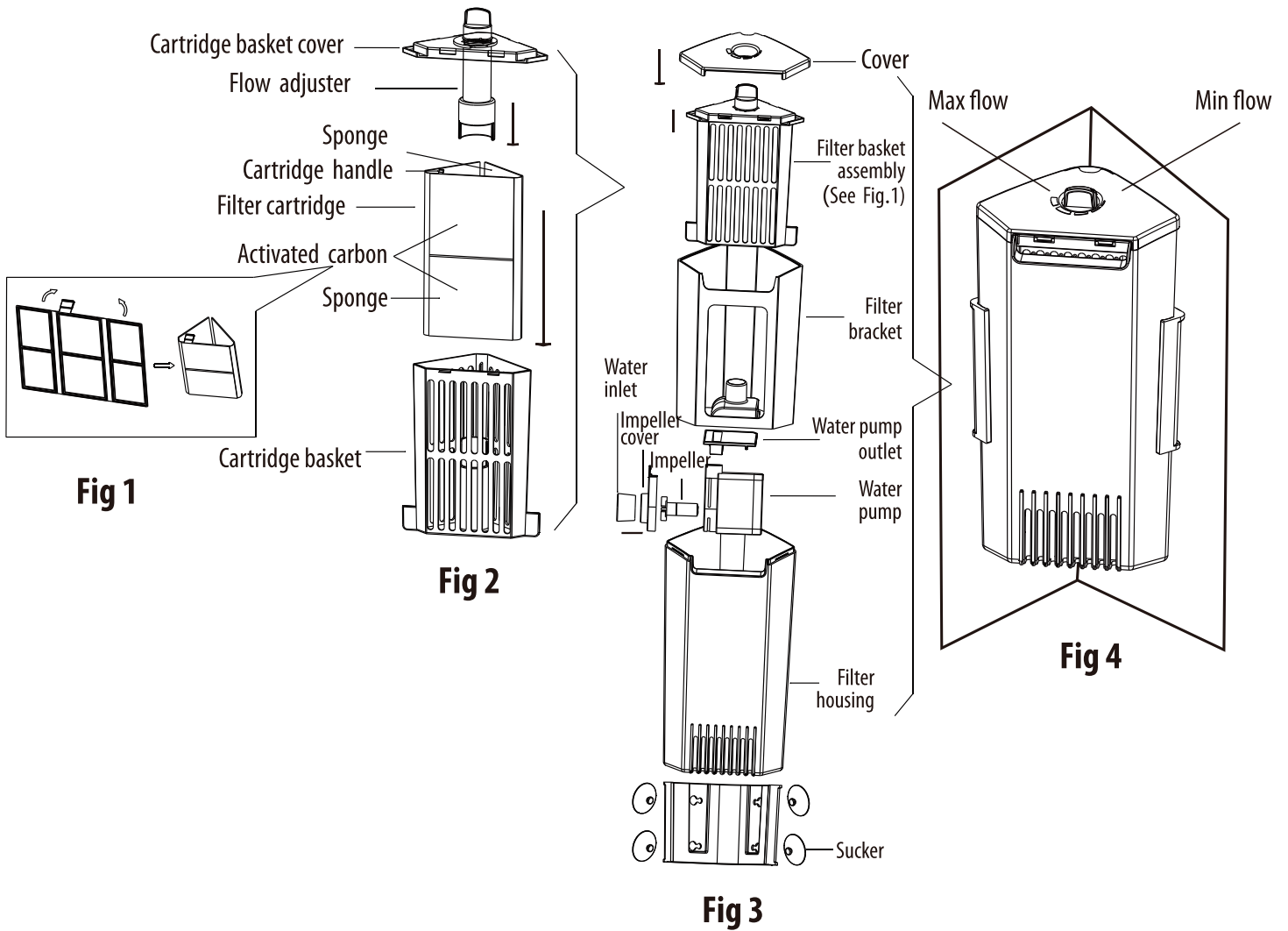
- **Multi-stage filtration:** Mechanical and biological filtration cycles more than 6 times per hour to maintain a clean aquatic environment for your fish and invertebrates!
- **Innovative water change design:** Our design allows for quick and easy water changes.
- **Increase dissolved oxygen:** active carbon removes harmful substances and filtration media cultivates beneficial bacteria. The flow of water will also increase dissolved oxygen in the aquarium.

Suitable to use for tropical fish and shrimp, or planted tanks!

# 2.PARAMETERS

MODEL	Power of water pump	Max Flow Rate	Cord Length	Recommended Tank Size
HG-002-4w	220V-240V 50Hz 4W	360L/H	1.8M	40-80L
HG-002-7w	220V-240V 50Hz 7W	820L/H	1.8M	90-160L

# 3.PRODUCT INSTRUCTIONS

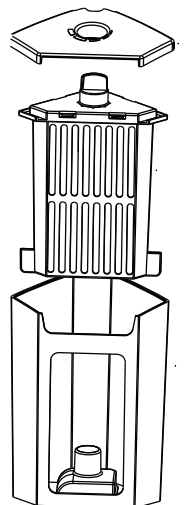


## 3.1 Clean each parts of the filter

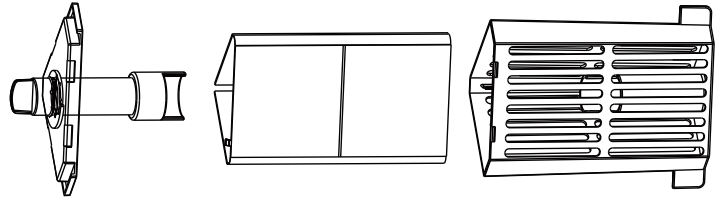
•In order to maximize the effect of the filter, it is recommended to clean the filter and accessories every two weeks.

3.1.1 If the filter card is blocked by debris, the filter card must be cleaned or replaced immediately. The steps are as follows:

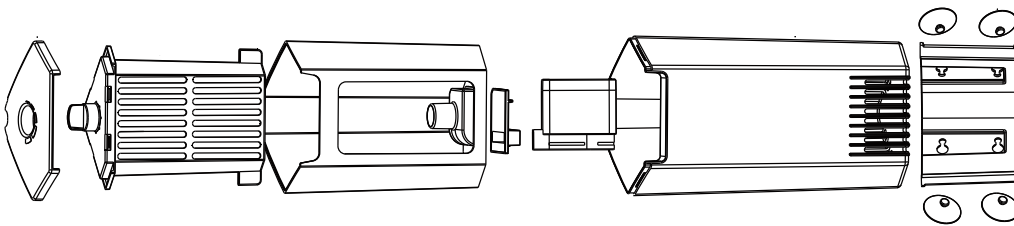
Disconnect the power supply, adjust the flow control valve to the minimum position, open the upper lamb, take out the filter basket assembly (Figure 5)



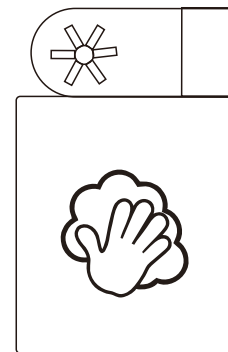
Pour out the sewage in the filter, rinse the residual substance of the filter card with clean water or replace the filter card , And then install the filter (Figure 6).



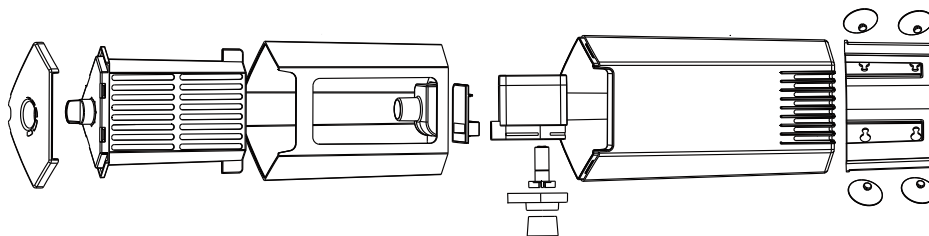
3.1.2 Thoroughly clean the water pump rotor and water chamber cover every three months. The steps are as follows:open the upper cover, take out the filter basket assembly and filter bracket(Figure 7).



3.1.3 Disassemble the water chamber cover and rotor part of the waterpump, rinse thoroughly with clean water(Figure 8).



3.1.4 Install the filter (Figure 9).

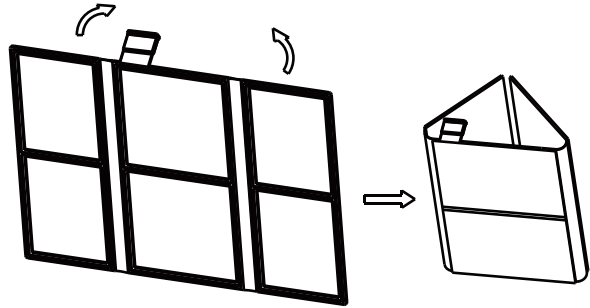


NOTE: Please keep the socket away from water at all times.

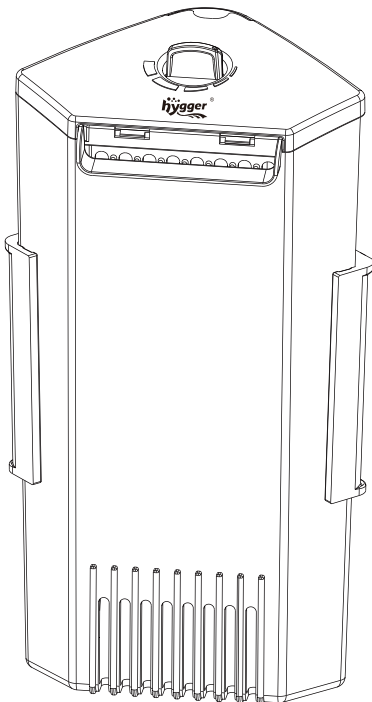
3.2 Assemble all the parts before using.

3.2.1 Open the package and check whether the filter is obviously damaged.

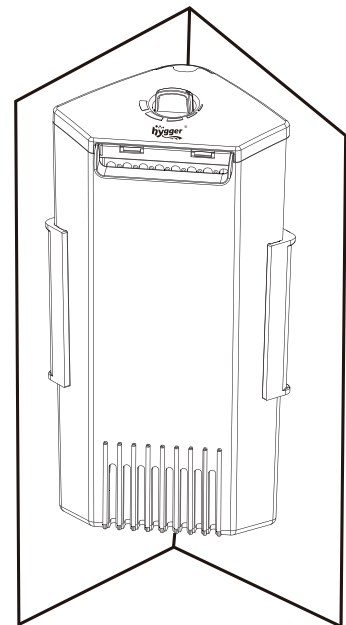
3.2.2 Check whether the filter card, filter basket assembly, and water pump of the filter are installed in place as shown in Figure 6 and Figure 9. To fold the card is to fold two sides to the middle (as shown in Figure 10).



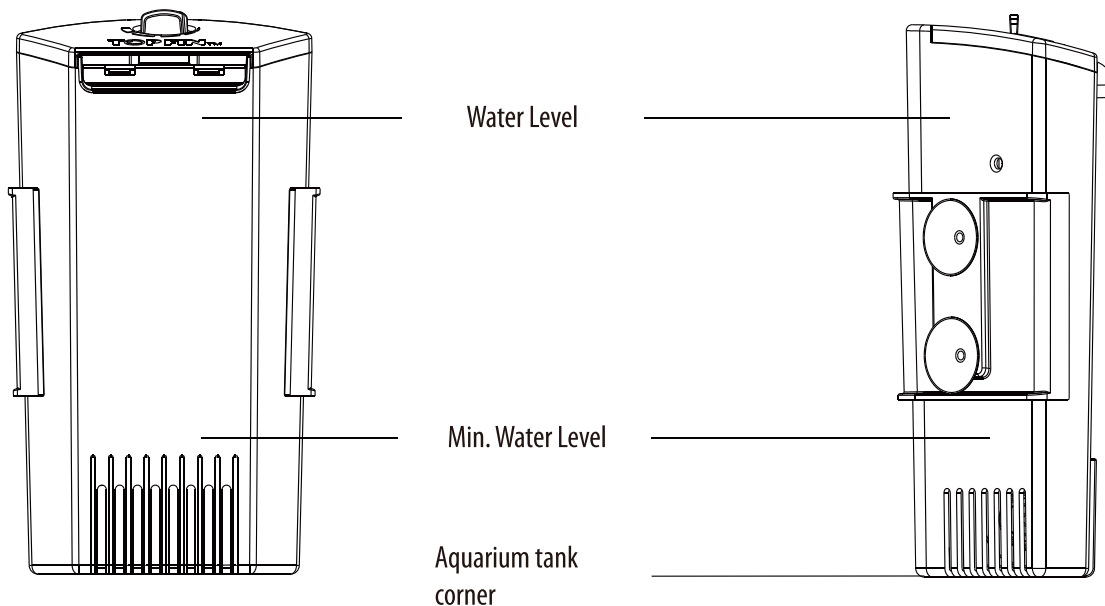
Pay attention to the insertion card of the filter basket, and the card handle is above the filter basket (as shown in Figure 6). Adjust the flow rate to the maximum position (Figure 11).



3.2.3 Soak the filter on the inner wall of the aquarium. This is a triangle filter, so you can soak the filter on the corners of the rectangular aquarium (see Figure 12).



3.2.4 Make sure that the water surface of the fish tank is higher than the lowest water level of the filter (see Figure 13). It can be used by turning on the power supply marked on the product.



## 4.ATTENTION:

4.1 Please use this product under the rated voltage, and use a well-grounded power socket.

4.2 The fish tank should be refilled with water regularly during use to ensure that the water level is higher than the lowest water level.

4.3 If your family is out for more than three days, please turn off the filter .

4.4 If abnormal noise or smell is found during use, the power supply should be cut off immediately and please contact suppliers immediately. Please stop using power cord plugs immediately when they were aged.

4.5 Before installing, please cut off the power supply when debugging or maintaining this product.

4.6 Please do not run the product without water.

## 5. PACKAGE INCLUDED:

1x Filter water changer      1x Filter cartridge      1x Filter cartridge  
1x Suction cup holder      1x Water pump      1x User manual

## 6. TROUBLESHOOTING

Symtoms	Reasons	Solutions
Pump does not work	<ol style="list-style-type: none"><li>1.Check if debris is built up around impeller or magnet of impeller.</li><li>2.Check if the impeller unit is assembled correctly after cleaning.</li><li>3.Check for fine grain sand if sandy substrate is used in aquarium.</li><li>4.Check if impeller unit is worn out.</li></ol>	<ol style="list-style-type: none"><li>1.Clean the pump.</li><li>2.Shut off power and re-assemble the impeller.</li><li>3.Change to sand with larger diameters or ensure the filter intake is not near sand.</li><li>4.Replace the impeller unit.</li></ol>
Water does not flow.Water flow is weak. Unusual noise.	<ol style="list-style-type: none"><li>1.Check if water level is above the minimum water level.</li><li>2.Check if any debris is in the impeller or pump.</li><li>3.Check if impeller is set properly into pump</li><li>4.Check if debris is built up in the housing.</li></ol>	<ol style="list-style-type: none"><li>1.Add water to the minimum water level.</li><li>2.Clean the impeller or pump.</li><li>3.Re-set the impeller</li><li>4.Clean regularly or exchange filter media.</li></ol>
Water does not become clean	<ol style="list-style-type: none"><li>1.Check if you have washed gravel before using</li><li>2.Check if filter media is dirty and needs replacing.</li></ol>	<ol style="list-style-type: none"><li>1.Clean the gravel.</li><li>2.Change the filter media.</li></ol>



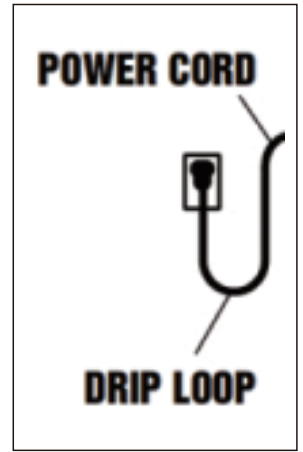
## **7.CAUTION:To guard against injury, basic safety precautions should be observed including the following:**

I . DANGER-To avoid possible electric shock, special care should be taken since water is employed in the use of the filter. For each of the following situations, do not attempt to repair the filter yourself; return the filter to an authorized service facility for service or discard the filter.

- a. Before removing the filter out of water, unplug the filter first.
- b. Carefully examine the filter after installation. It should not be plugged in if there is water on parts not intended to be wet.
- c. Do not operate the filter if it has a damaged cord or plug, if it is malfunctioning or if it is dropped or damaged in any manner. The power cord of this filter cannot be replaced, if the cord is damaged, the filter should be discarded.
- d. To avoid the possibility of the filter plug getting wet, position aquarium stand and tank to one side of a wall mounted outlet to prevent water from dripping onto the outlet or plug. A “drip loop”, shown in the figure below, should be arranged by the user for each cord connecting the filter to the outlet. The “drip loop” is the part of the cord below the level of the outlet, or the connector. If an extension cord is used, to prevent water traveling along the cord and coming in contact with the outlet. If the plug or outlet does get wet, DO NOT unplug the cord. Disconnect the fuse to the circuit breaker that supplies power to the filter. Then unplug and examine for the presence of water in the outlet.

**II.** Close supervision is necessary when the filter is used near children.

**III.** Always unplug the filter from the outlet when not in use, before putting on or taking off parts, and before maintenance or placing hands in the water. Never yank the cord to pull plug from outlet. Grasp the plug and pull to disconnect.



**IV.** Do not use the filter for other than intended use. The use of attachments not recommended or sold by the appliance manufacturer may cause an unsafe condition and will void any warranty.

**V.** Do not install or store the filter where it will be exposed to the weather or to temperatures below freezing. This filter is suitable for using in water temperatures less than 104°F.

**VI.** Make sure the filter is securely installed before operating it.

**VII.** Read and observe all the important notices on the filter.

**VIII.** If an extension cord is necessary, a cord with a proper rating should be used. A cord rated for less amperes or watts than the appliance rating may overheat. Care should be taken to arrange the cord so that it will not be tripped over or pulled.

**IX.** SAVE THIS USER MANUAL.



## **8. WARRANTY:**

1. 1-year warranty.
2. 1-month free return.
3. Free replacement for 3 months.

## 9. DISPOSAL

Do not dispose of this product as unsorted municipal waste. Collection of such waste separately for special treatment is necessary. This product must not be disposed of together with domestic waste. This product has to be disposed of at an authorized place for recycling of electrical and electronic appliances. By collecting and recycling waste, you help save natural resources, and make sure the product is disposed of in an environmentally friendly way.

## 10. CONTACT INFORMATION:

E-mail: [distributor@hyggeraquarium.com](mailto:distributor@hyggeraquarium.com)

Website: [www.hyggeraquarium.com](http://www.hyggeraquarium.com)



**If you have any problems or suggestions for the Hygger air-operated internal filter for aquariums Changer, please contact us by email before leaving feedback or opening a case, it will be the fastest way to solve your problem.**

**If you are satisfied with the Hygger air-operated internal filter for aquariums Changer, please leave positive feedback for our product, in order to let more customers enjoy it.**

**Thanks again!**