



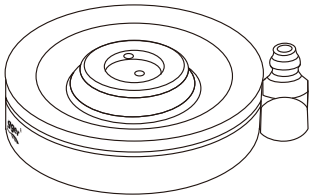
E-mail: distributor@hyggeraquarium.com

Website: www.hyggeraquarium.com

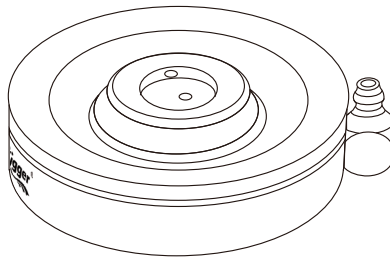


HG049 USER MANUAL

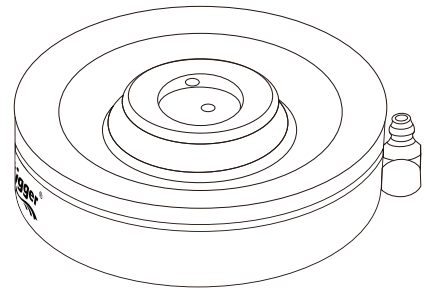
hygger acrylic disc nano air stone set



45mm(1.8")

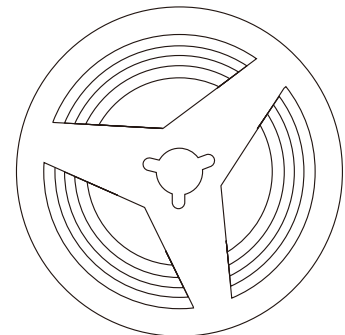
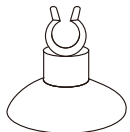


60mm(2.4")



80mm(3.15")

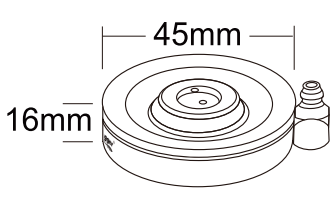
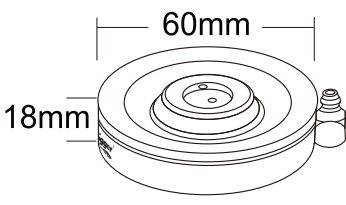
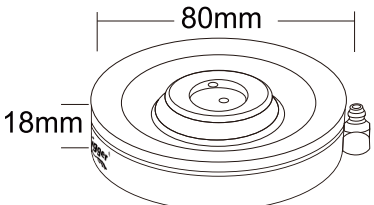
Accessories included: Air tube/check valve/plier/suction cup
Air Pump is not included.



1. PRODUCT FEATURES:

- ◆ **Ultra-High Dissolved Oxygen:** Special EVA material produces more bubbles to make the tank retain abundant oxygen and more suitable for fish growth.
- ◆ **Unique Design of Acrylic Disc Set:** Non-toxic clear acrylic design makes two loops bubble dissolve, given beautiful and a fantasy bubble wall.
- ◆ **Long Time Use and Easy Cleaning:** Special corrosion resistant material makes longtime use and never clogs, which is different from the traditional air stone; use the plier to open it for easy cleaning.
- ◆ **Suitable for both freshwater & saltwater.**

2. PRODUCT SPECIFICATIONS:

Picture			
Size	Dia:45mm(1.8")	Dia:60mm(2.4")	Dia:80mm(3.15")
Soft tube dia 4x6mm	✓	✓	✓
Suction cup	✓	✓	✓
Airstone	✓	✓	✓
Stainless steel plier	✓	✓	✓

3. INSTRUCTIONS:

- 1) Before using, please fully immerse the air disk into the water.
- 2) Please use enough air volume of the air pump(about 2W air pump) to carry the air disk.
Important Reminder: Please pay more attention if the disk does not dissolve the oxygen; please change different air pump to try or change the large volume air pump because it can not ensure the air pump has enough volume.
- 3) You can use the plier to open it when cleaning the EVA pads.
- 4) Please avoid using the air stone set in flammable, corrosive chemical gas or liquid.

4. ONE YEAR LIMITED WARRANTY:

This product **MUST** be purchased from an authorized hygger reseller. Visit our website for a list of authorized resellers. Hygger warrants this product against defects in materials and workmanship for ONE(1) YEAR from the date of the original retail purchase and is non-transferable.

Warranty on all products, including aquariums. But it is limited to the replacement of the products and does not cover fish loss, personal injury, property loss or direct, incidental or consequential damage caused by using this product.

Note: Hygger One-year Limited Warranty does not cover damage caused by the followings: improper installation, saltwater corrosion, electrical surges or modifications.

If you discover a defect, please contact hygger, who will, at its option, repair or replace the product at no charge, provided that you return it during the warranty period. A copy of the bill of sale is required as proof of the original purchase date in the event of the product needing repairs within the warranty period. Hygger does not warrant any products that are not hygger's.

This warranty does not apply if the product has been damaged by accident, abuse, misuse or misapplication, or modified without the written permission of hygger.

5. PACKING LIST:

1 x Air Disk	1 x S/S Plier	1 x Air Tube(1 roll)
1 x Suction Cup	1 x Check valve	1 x User Manual

6. CONTACT INFORMATION:

Company name: Shenzhen Mago Trading Co., Ltd

Add: Bantian Group Business Central, Longgang District, Shenzhen City, Guangdong Province, China

E-mail: distributor@hyggeraquarium.com

Website: www.hyggeraquarium.com