



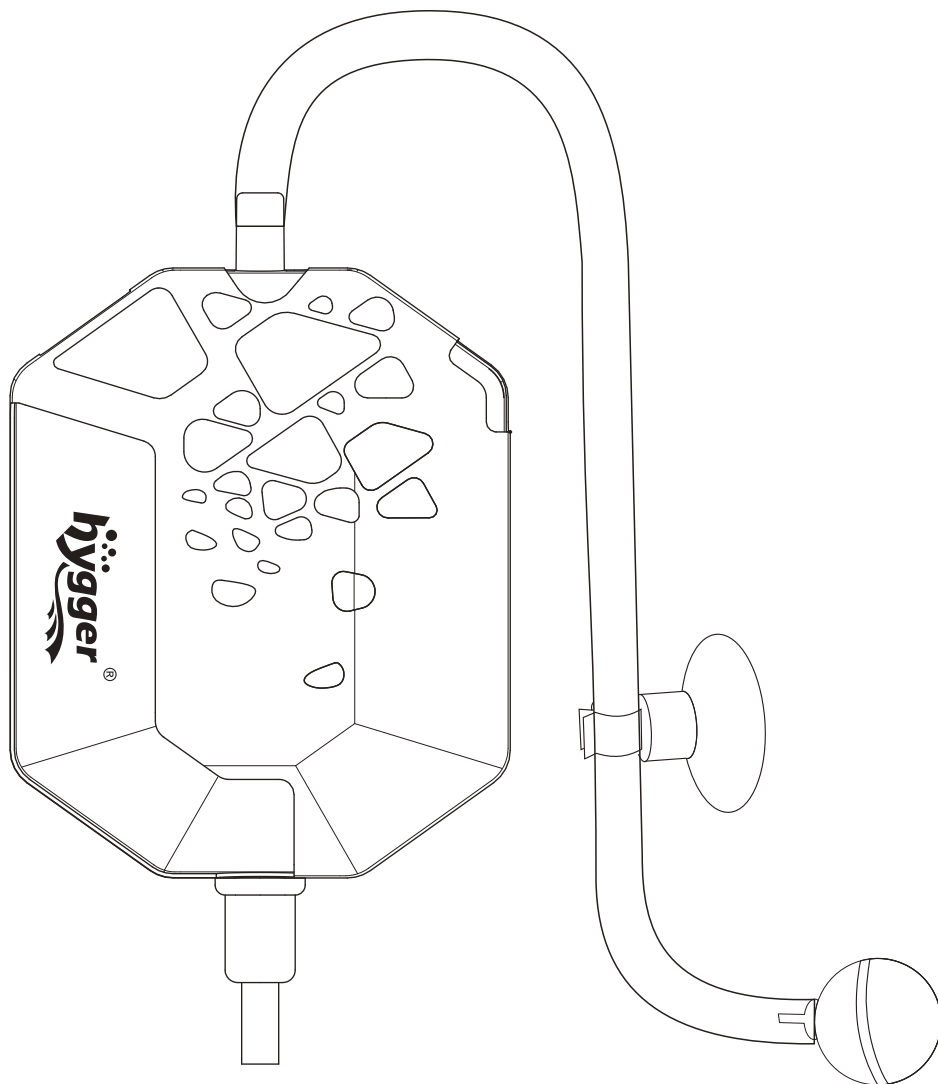
E-mail: distributor@hyggeraquarium.com

Website: www.hyggeraquarium.com



HG053 USER MANUAL

hygger ultra-quiet piezoelectric ceramic mini air pump



Hygger ultra-quiet mini air pump for aquarium oxygen is better for small and medium fish tanks. Ideal for fish and shrimp to make them more lively and healthy.

1.PRODUCT FEATURES

- * Small and ultra-quiet, super compact and lightweight
- * Low power consumption and portable use
- * Provide sufficient oxygen and durable
- * Driven by piezoelectric ceramic plate
- * NO EMI, NO motor, NO shaft, NO friction

2.PRODUCT SPECIFICATIONS

Model No.	HG053	White/ Black
Volt./Freq	US standard: AC 110-120V/60Hz UK/EU standard: AC 220-240V/50Hz	
Power	1.5W	
Air flow	0.5L/Min	
Sound	<30dB	
Pressure	0.012Mpa	
Depth	2.6FT(80CM)	
Cord length	1M(3.3FT)	
Application	1-15Gal(4-56L)	
Dimension	2.4"x2"x0.6"(6x5x1.5cm)	

3.INSTRUCTIONS

- 1) Open the package, connect the air tube, air stone, and check valve, then put the suction cup on the back of the air pump. Place it on the outside wall of the tank.
- 2) Plug into the socket, and use directly.

APPLICATION:

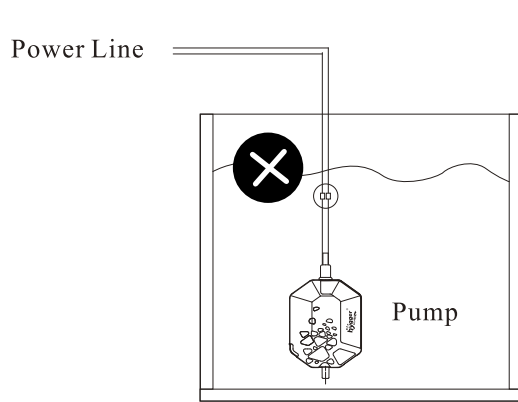


Figure 1

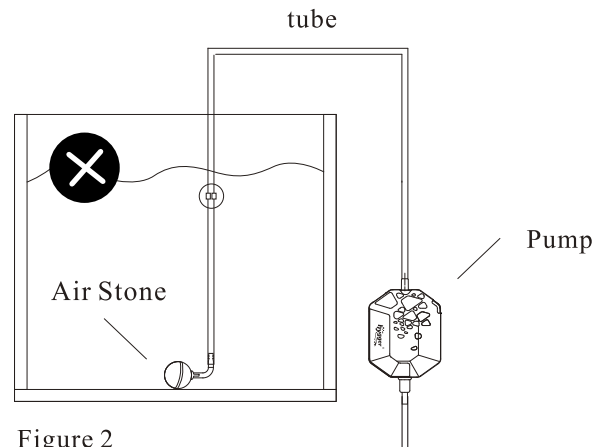


Figure 2

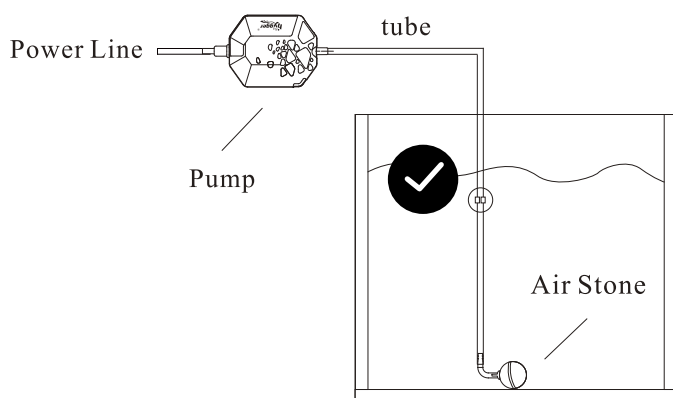


Figure 3

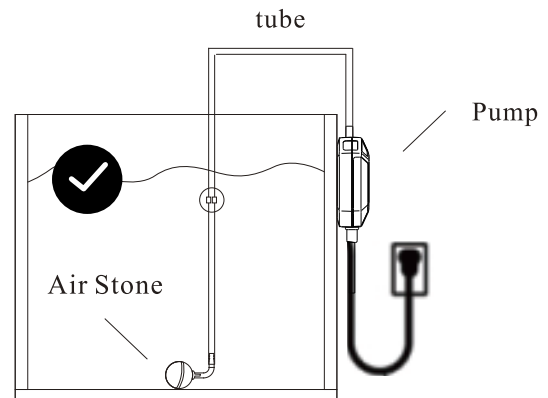


Figure 4

4.ATTENTION

- ✓ Please read this user manual carefully before using and follow it strictly.
- ✓ Please keep the air pump away from water since it is not waterproof.
- ✓ Please keep the air pump away from flammable items to avoid accidents.
- ✓ Please unplug the power and contact the seller if the air pump is making abnormal sounds, overheating, or has no air output.

**** OPENING WILL VOID WARRANTY ****

- ✓ Please soak the air stones before first use to get perfect bubbles with this pump.
- ✓ Please note that airflow loss is usually caused by clogged air-stone, which is the result of algae, floating debris, and mineral deposits accumulated in the pores. If you notice a diminished airflow, try blowing through the air-stone by yourself. If it is difficult, replace the air-stone.

- ✓ Please unplug the power before maintenance.
- ✓ Please mind that the operating temperature range for the air pump is between 33.8°F~95°F (1°C~35°C).
- ✓ Please mind that the maximum water depth for the attached air stone is 2.6 feet.

5.TROUBLESHOOTING

Fault	Explanation	Solutions
Work is abnormal	If the power supply is switched on and meets the requirements	Power in rated voltage
Volume smaller	1) Air pipe is being bent, clogged, or damaged. 2) Air stone is clogged.	1) Replace piper or layout properly. 2) Clean the air stone or change a new one.
High temperature	Air pipe plugged	Replace air pipe
Abnormal sound	If installation correctly	Correct installation
Air pump falls off	Sucker does not stick to the tank wall	Clean the surface of the tank wall and sucker

6.⚠️ WARNING :

To avoid possible electric shock, do not immerse the pump in the water. If the pump falls into the water or becomes wet, do not touch it until you have unplugged it. Basic safety precautions that should be observed are as follows:

⚠️ CAUTION:

To prevent possible electrical shock resulting from water back-siphoning, the pump should be used with a check-valve or positioned higher than the tank's water level.

1.Read and follow this user manual strictly.

2.DANGER- To avoid possible electric shock, special care should be taken since water is employed in the use of aquarium equipment. For each of the following situations, do not attempt to repair yourself. Instead, return the pump to an authorized service facility for maintenance or discard it.

A.If the pump falls into the water, do not touch it. First unplug it, then retrieve it. If electrical components of the pump get wet, unplug the pump immediately.

B.Carefully examine the pump after installation. It should not be plugged in if there is water on parts that are not intended to be wet.

C.Do not operate the pump if it has a damaged cord or plug, is malfunctioning, dropped, or damaged in any manner. The power cord of this pump cannot be replaced. If the cord is damaged, the pump should be discarded.

D.To avoid the possibility of the pump plug getting wet, position the aquarium and its stand to one side of a wall mounted outlet to prevent water from dripping onto the outlet or plug. A “drip loop”, shown in the figure below, should be arranged by the user for each cord, which connects the pump to the outlet. If an extension cord is used, the “drip loop” is the part of the cord below the level of the outlet or the connector that prevents water from traveling along the cord and coming in contact with the outlet. If the plug or outlet does get wet, DO NOT unplug the cord. Disconnect the fuse to the circuit breaker that supplies power to the pump. Then, unplug and examine for the presence of water in the outlet. If you are not sure, consult a certified electrician.



3.Close supervision is necessary when the pump is used near children.

4.To avoid injury, do not contact moving or hot parts.

5.Always unplug the pump from the outlet when not in use, before putting on or taking off parts, maintenance, or placing hands in the water. Never yank the cord to pull the plug from the outlet. Grasp the plug and pull to disconnect.

6. Do not use the pump for other than intended use. The use of attachments not recommended or sold by the appliance manufacturer may cause an unsafe condition and will void the warranty.

7. Do not install or store the pump where it will be exposed to extreme weather or temperatures below freezing.

8. Make sure the pump is securely installed before operating it.

9. Read and observe all the important notices on the pump.

10. If an extension cord is necessary, a cord with a proper rating should be used, such as rated amperes or watts. A cord rated for fewer amperes or watts than the pump rating may overheat. Care should be taken to arrange the cord so that it will not be tripped over or pulled.

11. The pump is intended FOR HOUSEHOLD USE ONLY.

12. SAVE THIS USER MANUAL.

7. ONE YEAR LIMITED WARRANTY

This product **MUST** be purchased from an authorized hygger reseller. Visit our website for a list of authorized resellers. Hygger warrants this product against defects in materials and workmanship for **ONE(1) YEAR** from the date of the original retail purchase and is non-transferable.

Warranty on all products, including aquariums. But it is limited to the replacement of the products and does not cover fish loss, personal injury, property loss or direct, incidental or consequential damage caused by using this product.

Note: Hygger One-year Limited Warranty does not cover damage caused by the followings: improper installation, saltwater corrosion, electrical surges or modifications.

If you discover a defect, please contact hygger, who will, at its option, repair or replace the product at no charge, provided that you return it during the warranty period. A copy of the bill of sale is required as proof of the original purchase date in the event of the product needing repairs within the warranty period. Hygger does not warrant any products that are not hygger's.

This warranty does not apply if the product has been damaged by accident, abuse, misuse or misapplication, or modified without the written permission of hygger.

8.DISPOSAL

Do not dispose of this product as unsorted municipal waste. Collection of such waste separately for special treatment is necessary. This product has to be disposed of at an authorized place for the recycling of electrical and electronic appliances rather than being disposed of together with the domestic waste. Collecting and recycling waste is a way of saving natural resources. So, please consult with your local seller to make sure the product is disposed of in an environmentally friendly way.

9.PACKING LIST

1x Air pump with adapter

1x Air stone

1x Air tube

1x Suction cup

1x User manual

10.CONTACT INFORMATION

Company name: Shenzhen Mago Trading Co., Ltd

Add : Bantian Group Business Central, Longgang District, Shenzhen City, Guangdong Province, China

E-mail: distributor@hyggeraquarium.com

Website: www.hyggeraquarium.com

CE UK CA   
MADE IN CHINA