



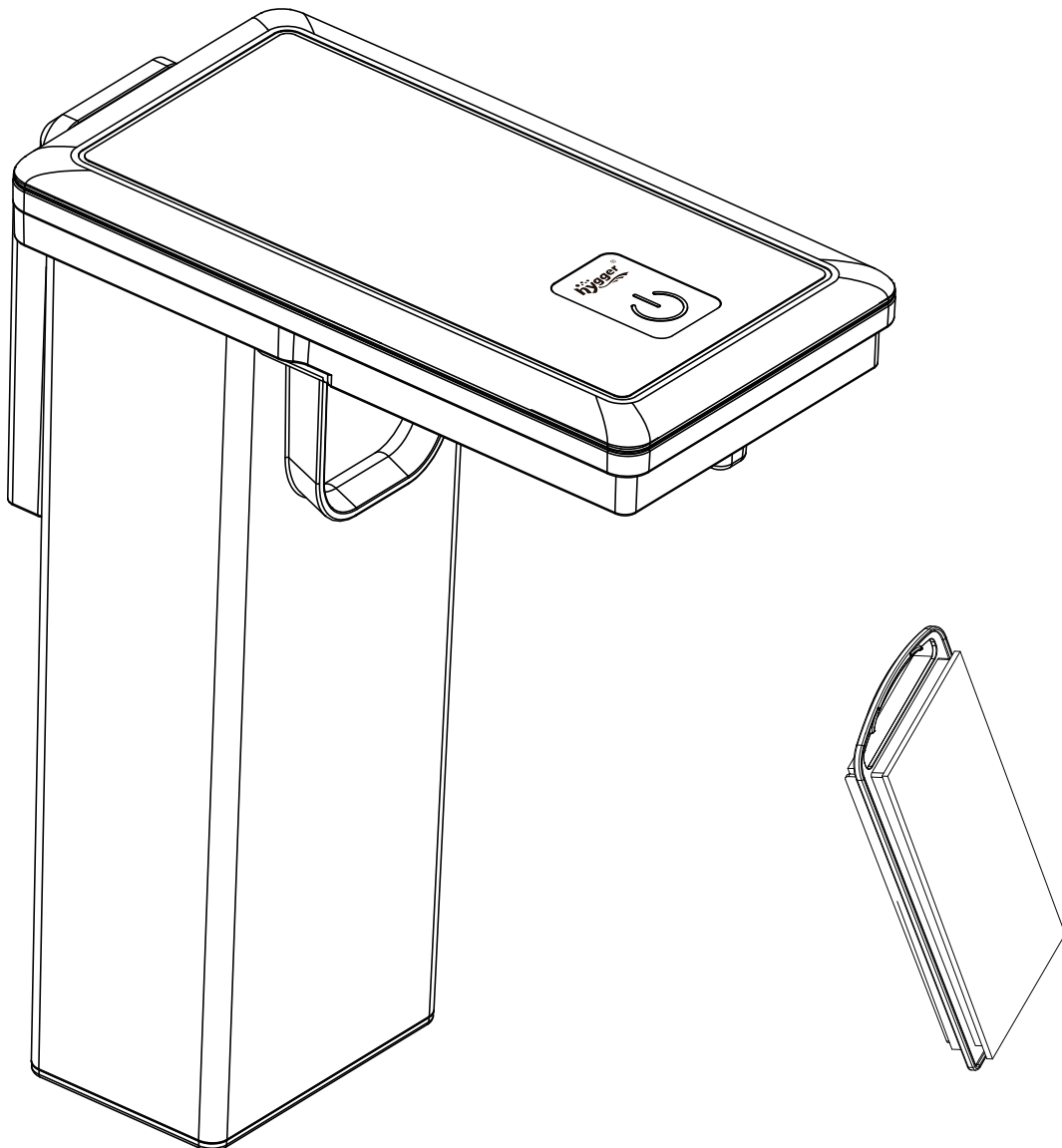
E-mail: [distributor@hyggeraquarium.com](mailto:distributor@hyggeraquarium.com)

Website: [www.hyggeraquarium.com](http://www.hyggeraquarium.com)



# HG-982 USER MANUAL

## HYGGER LED LIGHT FILTER



Hygger LED light filter is a new design for aquariums. Please read this manual carefully before use and follow this user manual strictly.

***E-mail: Mago@hygger-online.com***

## 1. PRODUCT FEATURES

**Perfect for small tanks:** Two in one filter and light saves space, it is suitable for smaller tanks, make the fish tank clean and tidy.

**LED with a variety of color combinations:** The filter has various colors that can be adjusted accordingly to different requirements.

**Low voltage supply:** 12V - low voltage is safe to use, saving electric bills.

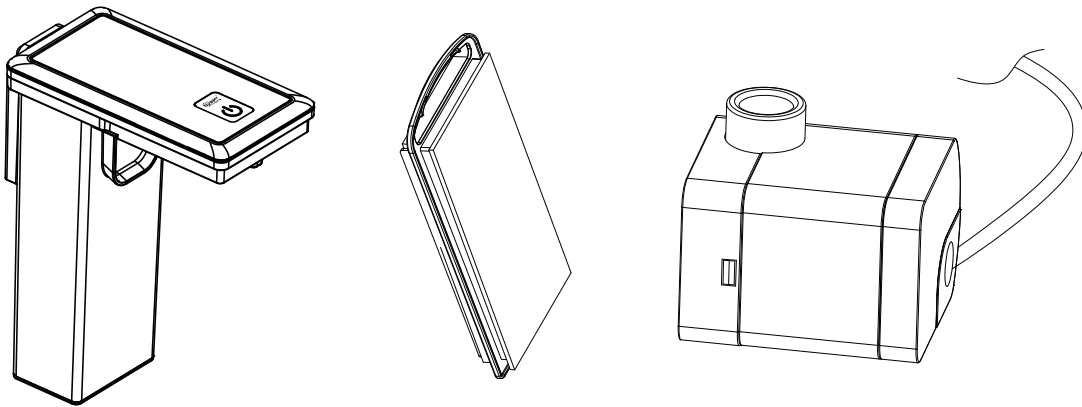
**Easy to set up and maintain:** The design of this filter is not only waterproof but also easy to set up, low maintenance.

## 2. PARAMETER

Model	Power	Q Max	Application
HG-982	10W	68 GPH (255LPH)	≤16 inch tank

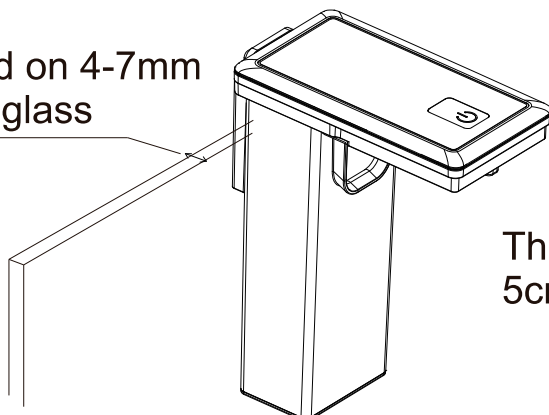
## 3. PRODUCT INSTRUCTIONS

- Clean all the fittings of the filter before use except the plug.



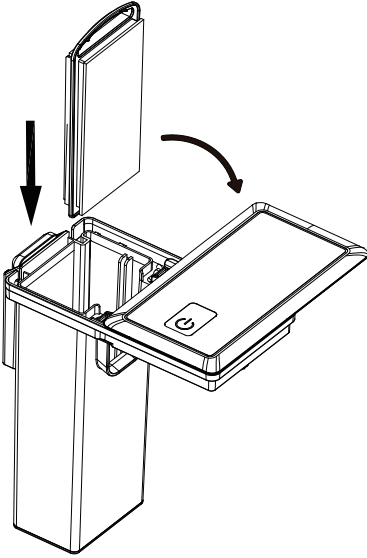
- Place the filter on the tank. To ensure better performance, it is better to keep the filter below water level as shown in the picture

It can be fixed on 4-7mm  
(1.5-2.8inch) glass

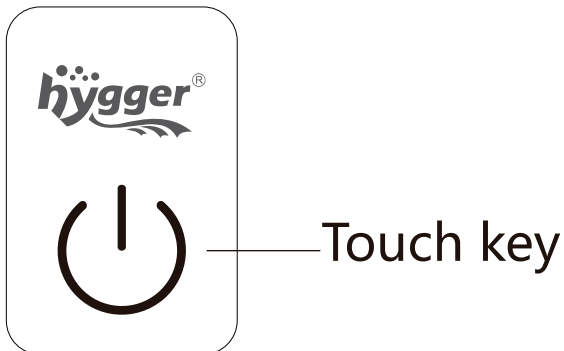


The water level is between  
5cm (2 inches) -13cm (5 inches)

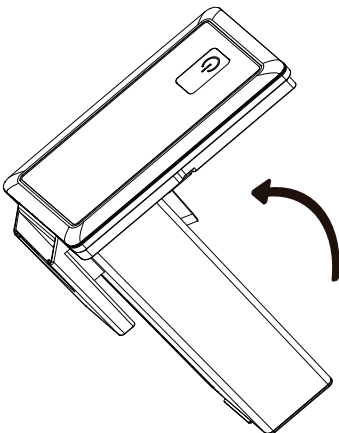
- Rotate 90 degrees to open the cover and fasten the filter cartridge in the slot.



- Power it on, touch the LED light switch to choose the color. 4 color modes can be chosen: white, red, green, blue, then close the light.

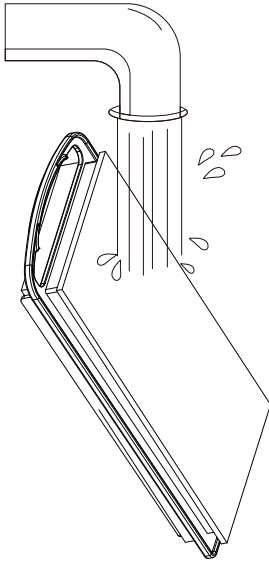


- Waterproof, even though drops in water, it still works. However, you need to pour out water from the cover in order to avoid malfunction.

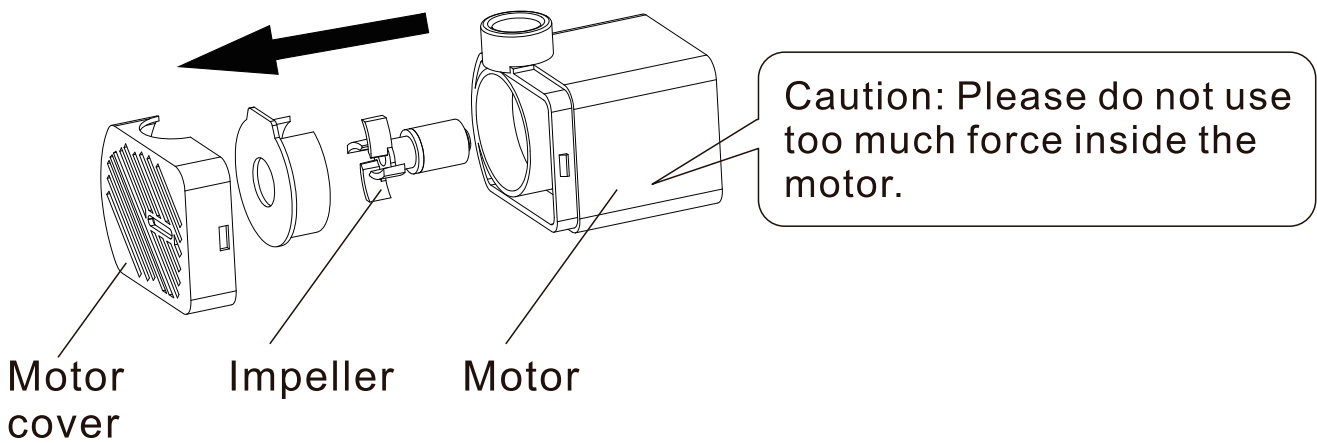


## 4. MAINTENANCE

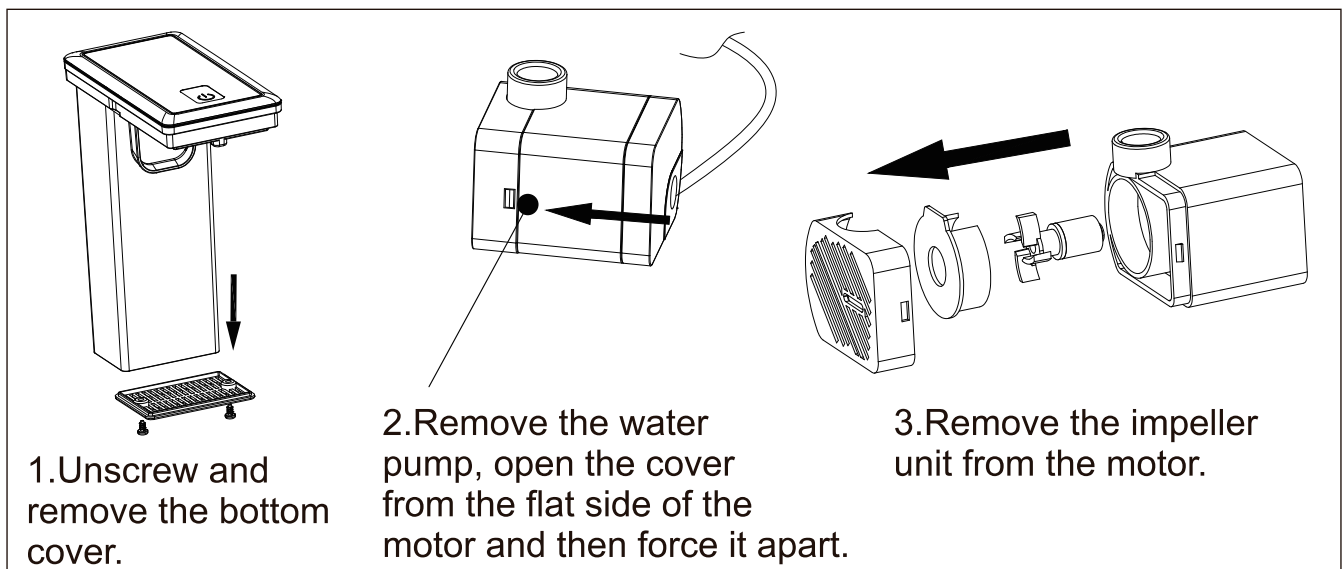
- Wash the filter media every two weeks and change it once per month.



- Wash the entire motor monthly. Clean the inside of the motor with a pipe brush and place it back in the opposite direction.



### Instructions to wash the motor:



## 5. PACKAGE INCLUDES:

- 1 x LED light filter
- 1 x Filter cartridge
- 1 x adapter
- 1 x User manual

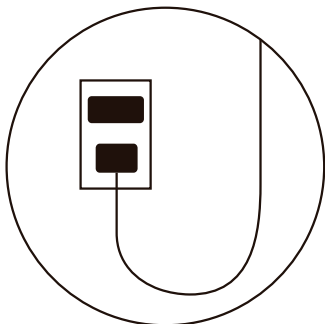
## 6. TROUBLESHOOTING

Symptom	Reasons	Solutions
Motor does not work	<ol style="list-style-type: none"><li>1. Check if debris are building up around the impeller or the magnet of impeller.</li><li>2. Check if the impeller unit is assembled correctly after cleaning.</li><li>3. Check for fine grain sand around the motor if using sandy substrate.</li><li>4. Check if impeller unit is worn out.</li><li>5. In some cases, the impeller inside the pump does not rotate due to phenomenon specific to magnetic pump.</li></ol>	<ol style="list-style-type: none"><li>1. Clean the motor.</li><li>2. Shut off the power and re-set the impeller.</li><li>3. Change substrate to larger particle sand or ensure the filter intake is not near any sand.</li><li>4. Exchange the impeller unit.</li><li>5. Try inserting and pulling out the plug several times. The magnet will move from the neutral position and the motor will start to work.</li></ol>
Water does not flow. Water flow is weak. Unusual noise.	<ol style="list-style-type: none"><li>1. Check if the water level is above the minimum water level.</li><li>2. Check if any debris is left in the impeller or motor.</li><li>3. Check if the impeller is set properly in the motor.</li><li>4. Check if debris are building up in the housing area.</li></ol>	<ol style="list-style-type: none"><li>1. Add water to fill above the minimum water level.</li><li>2. Clean the impeller and/or motor.</li><li>3. Re-set the impeller.</li><li>4. Clean the unit regularly or exchange the filter media.</li></ol>
Water does not become clean	<ol style="list-style-type: none"><li>1. Check if you have washed gravel before use.</li><li>2. Check if the filter box is too dirty.</li></ol>	<ol style="list-style-type: none"><li>1. Clean the gravel.</li><li>2. Change out the filter box.</li></ol>



**7. CAUTION:** To guard against injury, basic safety precautions should be observed including the following:

- I. **DANGER-**To avoid possible electric shock, special care should be taken since water is employed in the use of the filter. For each of the following situations, do not attempt to repair yourself; return the filter to an authorized service facility for service or discard the filter.
  - a. Before removing the filter out of the water, unplug the filter first.
  - b. Carefully examine the filter after installation. It should not be plugged in if there is water on parts not intended to be wet.
  - c. Do not operate the filter if it has a damaged cord or plug, if it is malfunctioning or if it is dropped or damaged in any manner. The power cord of this filter cannot be replaced, if the cord is damaged, the filter should be discarded.
  - d. To avoid the possibility of the filter plug getting wet, position the aquarium stand and tank to one side of a wall-mounted outlet to prevent water from dripping onto the outlet or plug. A “drip loop”, shown in the figure below, should be arranged by the user for each cord connecting the filter to the outlet. The “drip loop” is the part of the cord below the level of the outlet, or the connector. If an extension cord is used, to prevent water from traveling along the cord and coming in contact with the outlet. If the plug or outlet does get wet, **DO NOT** unplug the cord. Disconnect the fuse to the circuit breaker that supplies power to the filter. Then unplug and examine for the presence of water in the outlet.



- II. Close supervision is necessary when the filter is used near children.
- III. Do not use the filter for other than intended use. The use of attachments not recommended or sold by the appliance manufacturer may cause an unsafe condition.
- IV. Do not install or store the filter where it will be exposed to the weather or temperatures below freezing. This filter is suitable for use in water temperatures less than 104°F.
- V. Make sure the filter is securely installed before operating it.

VI. Read and observe all the important notices on the filter.

VII. If an extension cord is necessary, a cord with a proper rating should be used. A cord rated for less amperes or watts than the appliance rating may overheat. Care should be taken to arrange the cord so that it will not be tripped over or pulled.

VIII. SAVE THIS USER MANUAL.

## **8. WARRANTY:**

1. 1-year free warranty.
2. 1-month free return.
3. Free replacement for 3 months.

## **9. DISPOSAL**

Do not dispose of this product as unsorted municipal waste. Collection of such waste separately for special treatment is necessary. This product must not be disposed of together with domestic waste. This product has to be disposed of at an authorized place for recycling of electrical and electronic appliances. By collecting and recycling waste, you help save natural resources, and make sure the product is disposed of in an environmentally friendly way.



## **10. CONTACT INFORMATION:**

E-mail: [distributor@hyggeraquarium.com](mailto:distributor@hyggeraquarium.com)

Website: [www.hyggeraquarium.com](http://www.hyggeraquarium.com)

Thank you for choosing Hygger, making aquarium keeping easier one product at a time.

If you have any problems or suggestions for the LED light filter, please contact us by email before leaving feedback or opening a case, it will be the fastest way to solve your problem.

If you are satisfied with the LED light filter, please leave positive feedback for our product, in order to let more customers enjoy it. Thanks again!