



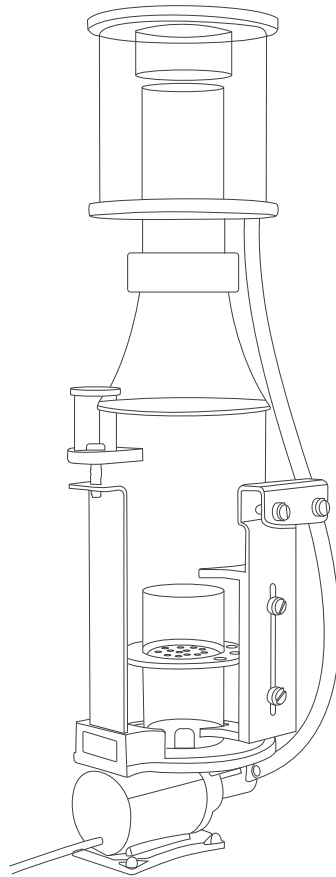
E-mail: distributor@hyggeraquarium.com

Website: www.hyggeraquarium.com



HG092 USER MANUAL

hygger internal protein skimmer



hygger internal protein skimmer for saltwater aquarium is a highly recommended choice for aquariums with a capacity of up to 80 gallons (303L). Before use, please read and carefully follow the instructions provided in this manual for proper operation and installation. It is important to note that the protein skimmer should not be moved during operation to avoid any potential damage.

1.PRODUCT FEATURES

Energy-saving and Quiet: It is self-developed and produced DC water pumps, low-voltage, safe, efficient.

Curved Housing: Simple and convenient adjustment, resulting in better and smoother accumulation of bubbles. The rising speed of foam is even, resulting in smooth foam and effective discharge of organics in the cylinder.

The protein skimmer with a simple and reasonable bucket bin design for separation, with compact size and small footprint. The needle brush pump adopts a ceramic shaft and special needle brush, providing a longer service life and allowing for simple disassembly and convenient cleaning.

Multifunctional: The protein skimmer effectively filters air bubbles, separates impurities, and increases oxygen levels in the aquarium. It is specifically designed to meet the needs of separating different types of contaminants.

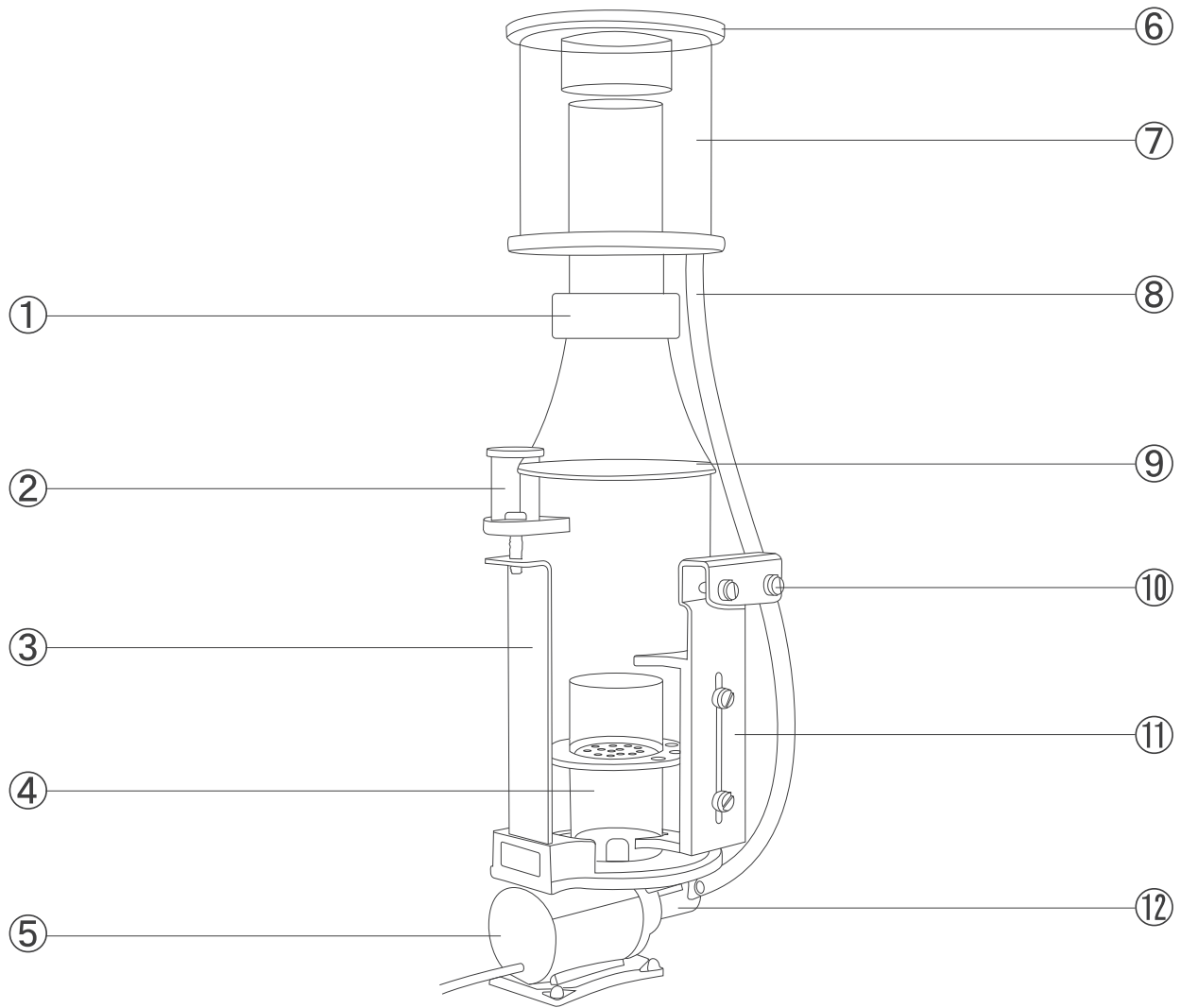
Safe and Harmless Materials: Made with materials that are harmless and have no adverse effects on water quality organisms

Simple Operation: The protein skimmer is designed for easy operation, ensuring convenience of aquarium enthusiasts.

2. PRODUCT SPECIFICATIONS

Model	HG092
Needle brush pump	DC-1000
Power of pump	DC24V-12W
Flow rate	264 GPH (1000 LPH)
Maximal suction capacity	66 GPH (250LPH)
Application	48-79 gal (180-300L)
Processing capacity	171 GPH (650LPH)
Floor space required	4.4 *4.3*16.5 in (110*108*420mm)
Recommended water level	4.4-5.9 in (110-150MM)

3. PRODUCT DIAGRAM



1. Pan head rubber ring
2. Silencer
3. Water outlet regulating plate
4. Diversion box
5. Needle brush pump
6. Collection cup with lid
7. Collection Cup
8. Intake pipe
9. Reaction chamber
10. Slotted screw
11. Aeration parts
12. Hanger Group

4. MAINTANCE

The collection cup needs to be cleaned regularly to maintain its optimal performance. Typically, impurities will accumulate and settle before cleaning is required. However, the reaction chamber does not require regular cleaning. Only when impurities accumulate to a significant extent in the main chamber should it be cleaned.

5. TROUBLESHOTTING

If the product is not function properly, please check the following:

A.Ensure that the socket and plug are securely contacted.

B.If there are few or no bubbles, check the muffler and air pipe filling to ensure they are not blocked.

C. Whether the water pump absorbs sand, algae, and debris can cause damage to the rotor and needle brush, please be careful!

D. Be cautious of sand, algae, and debris being sucked into the water pump, as they can cause damage to the rotor and needle brush.

6. ONE YEAR LIMITED WARRANTY

This product **MUST** be purchased from an authorized hygger reseller. Visit our website for a list of unauthorized resellers. hygger warrants this product against defects in materials and workmanship for **ONE(1) YEAR** from the date of the original retail purchase and is none-transferable.

Warranty on all products, including aquariums. But it is limited to the replacement of the products and does not cover fish loss, personal injury, property loss or direct, incidental or consequential damage caused by using this product.

Note: hygger One-year Limited Warranty does not cover damage caused by the followings: improper installation, saltwater corrosion, electrical surges or modifications. Additionally, products that have been refunded are also not covered under the warranty.

If you discover a defect, please contact hygger, who will, at it' s option, repair or replace the product at no charge, provided that you return it during the warranty period. A copy of the bill of sale is required as a proof of the original purchase date in the event of the product needing repairs within the warranty period. hygger does not warrant any products that aren't hygger's..

This warranty does not apply if the product has been damaged by accident, abuse, misuse or misapplication, or modified without the written permission of hygger.

7. DISPOSAL

Do not dispose this product as unsorted municipal waste. Collection of such waste separately for special treatment is necessary. This product has to be disposed at an authorized place for the recycling of electrical and electronic appliances rather than being disposed together with the domestic waste. Collecting and recycling waste is a way of saving natural resources. So, please consult with your local seller to make sure the product is disposed in an environmentally friendly way.

8. CONTACT INFORMATION

Distributed by: Hygger Aquarium, Inc.
Chino, CA 91710

E-mail: distributor@hyggeraquarium.com

Website: www.hyggeraquarium.com

Trademarks of Shenzhen Mago Trading Co., Ltd
Bantian Group Business Center, Longgang,
Shenzhen City, China
All Rights Reserved

Made in China