



E-mail: distributor@hyggeraquarium.com

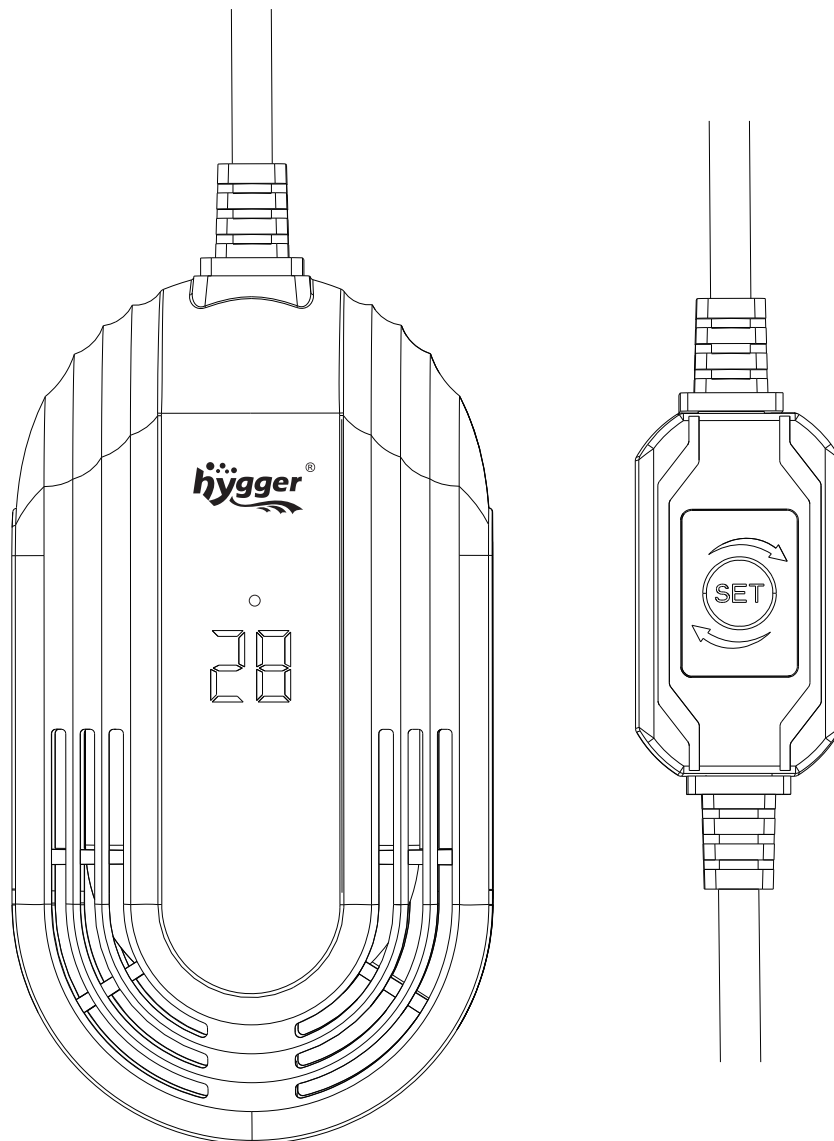
Website: www.hyggeraquarium.com



HG097 USER MANUAL

hygger mini heater

aquarium heater

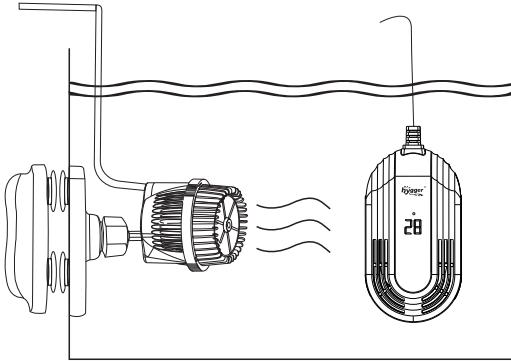


hygger mini heater is the perfect heater for 1~30 gallon aquariums. It is ideal for use at home, in the office, or on the desktop.

⚠ CAUTION:

Place the hygger heater fully submersible when it's on, unplug it and wait for 15 minutes before changing the water or removing the heater.

When using a heater, make sure there is enough water flow and circulation in the fish tank.



1. PRODUCT FEATURES

LED digital temperature display: Multi-function LED digital display shows the current water temperature and the set temperature clearly and accurately.

Easy-to-use external temperature controller: In one clip, set the desired temperature and check the setup record. When the digits flash, you can set the temperature. Once the setting is completed, the numbers are stable and no longer flash. If you press the "SET" button, you can see your setup record in a single clip.

Memory function and shut-off automatically: When the power is restored, the memory function will maintain the settings. It will stop heating after reaching the set temperature.

Explosion-proof quartz heating tube: Explosion-proof and insulation quartz tube is safer than traditional coil heaters.

Intelligent temperature safety control prevents running dry: The heater will automatically shut off when exposed to air, and the LED display will flash "Er" and the current temperature on the display. When the temp reaches or passes 97°F(36°C), the LED display shows "EE", and then the heater will shut off automatically.

Small size is ideal for small aquarium tanks

Suitable for freshwater and saltwater

2. PRODUCT SPECIFICATIONS

Model	HG097				
Power	15W	25W	50W	100W	150W
Application	1-2.5Gal (3.5~9.5L)	2-5 Gal (7.5~19L)	5-10Gal (19~38L)	10-20Gal (38~75L)	20-25Gal (75~95L)
Volt./Freq	US standard: AC 110-120V/60Hz UK/EU standard: AC220-240V/50Hz Japan standard: AC100-120V/50~60Hz				
Cord length	0.8m+1.2m(2.6ft+3.9ft)				
Temp accuracy	±1°F(±1°C)				
Control range	59°F~93°F(15°C~34°C)				
Heating rod dimension	4.3"x1.9"x0.9"(11cm x 4.8cmx2.4cm)				

3. INSTRUCTIONS

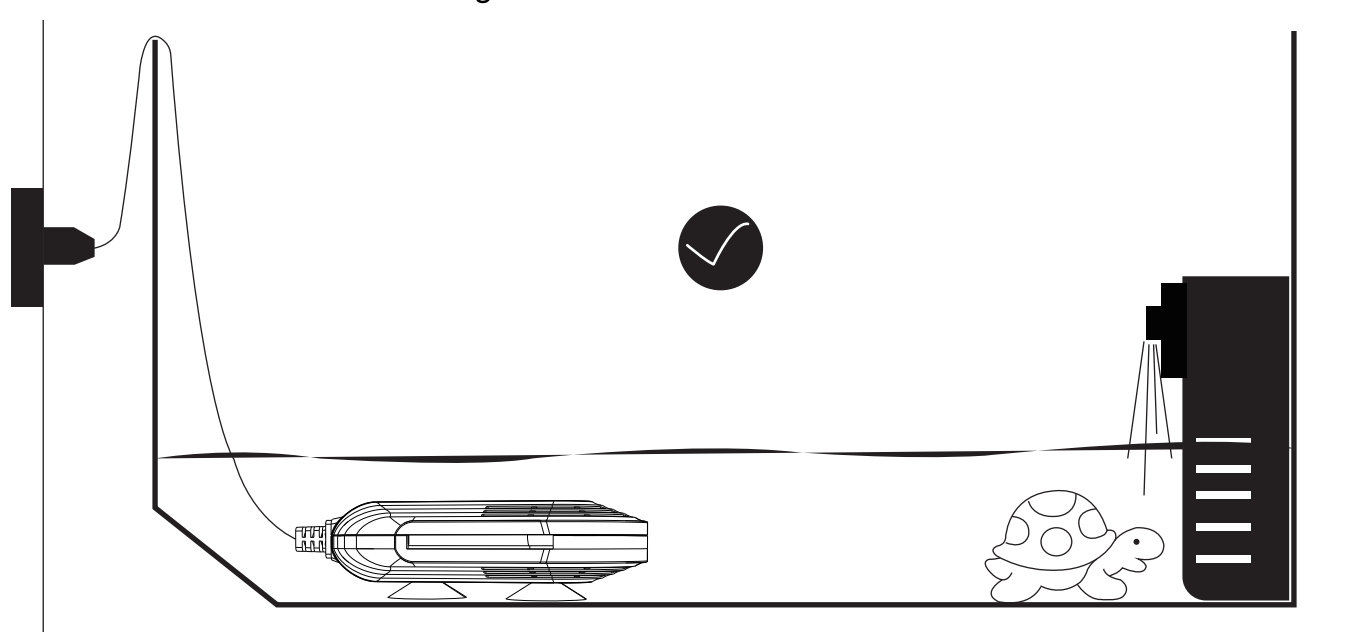
a) When plugged in, the digits begin to flash for 3 seconds. Then it can be adjusted to the desired temperature. The indicator light turns red, and the heater is on.

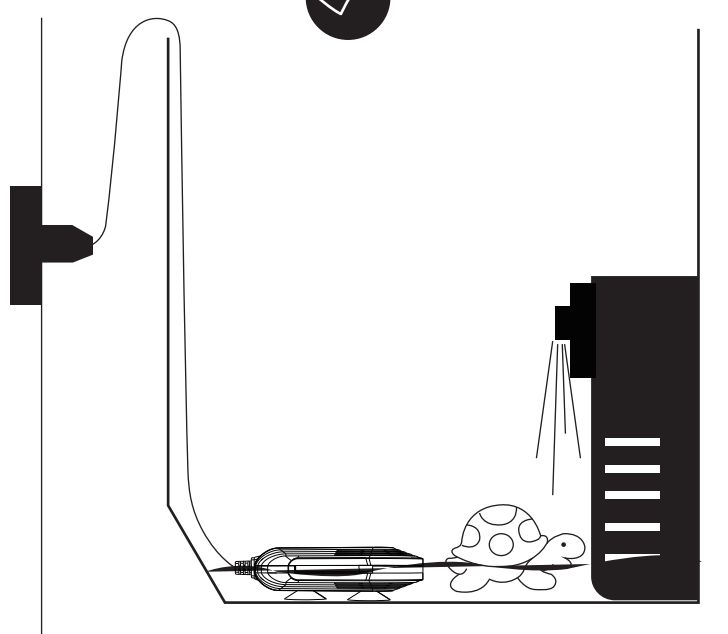
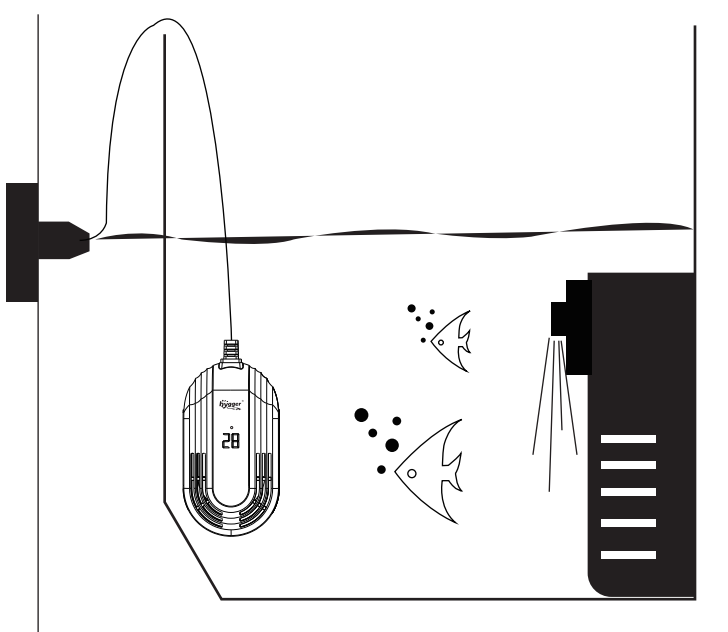
b) It will turn green when the heater reaches the set temperature, which means the heating rod is not heating. It will start heating when the temperature is lower than 1°F.

For example, your desired temperature is 90°F. Just press the “SET” button until “90” is shown on the display screen and wait for the digit “90” to flash three times; then, it will show the current water temperature. Your setting is done. The “SET” button can check the previous setup record in one clip.

APPLICATION:

Place the heater as follow diagram:



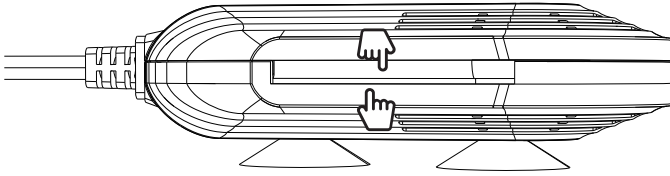


1. MAINTENANCE

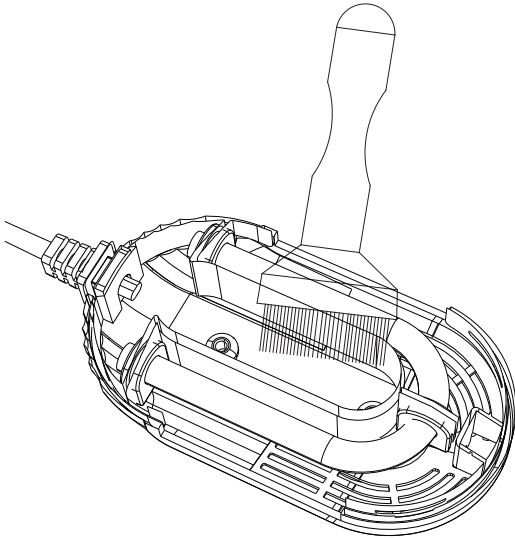
- Unplug or switch off all appliances in the aquarium before carrying out maintenance.
- Do not use detergents or other chemical cleaners.
- To clean the heater, unplug it first and then leave the heater in the tank for 15 minutes and remove it from the tank. Wash the heater in clean water.

Here is the correct instruction for the cleaning as per the following steps:

a) Hands hold the heater, and then open the cover.

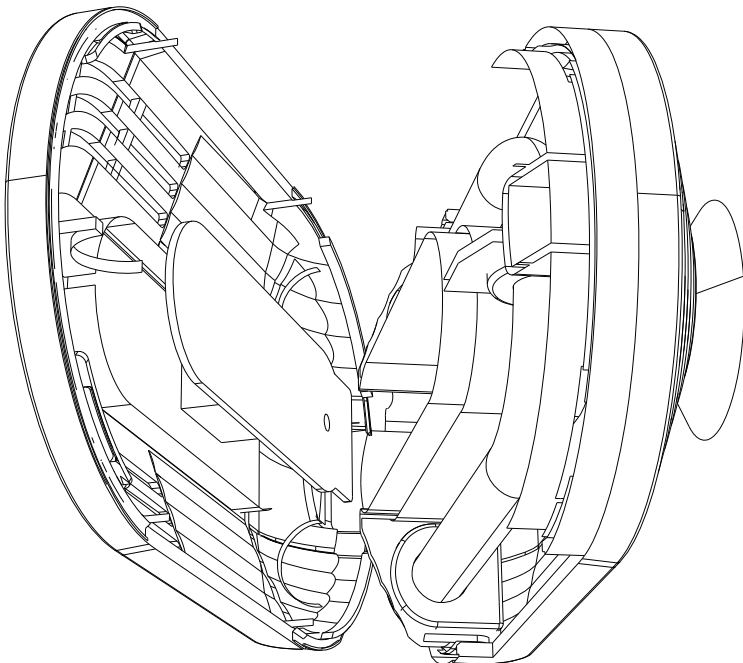


b) Use the brush to clean the heater when opening the cover.



C) Important reminder:

The two slots at the end of the heating rod are aligned with the groove first and then pressed down to close the cover well.



- When reinstalling the heater, select your desired location and position the heater below the water.
- This appliance has no parts that users can repair.
- For indoor use only, not in the bathroom.

5. TROUBLESHOOTING

Fault	Explanation	Solutions
Er	Out of water shutoff	Fully submersible into the water
EE flash	Over 95°F temperature	Fill into the cool water or wait for 1 °F lower temperature and the EE flash will be cancelled
Heater turns red indication when it's out of the water	Failed the out of water shutoff function	Clean the heater cover, and see if it turns green indication when out of the water
Heater is working but can not reach the setup temperature ambient temperature	ambient temperature is below 50°F(10°C) or The setting temperature differs from the ambient temperature by 50°F(10°C)	Choose the more large heater or use one more heater
H1	Probe is broken	Unplug the power immediately, prohibit use anymore, and replace new heater.
H2		
E1		
E2		
E8		
EL	Reminder after 10,000 hours of use	Reminder can not be cleared, to be safe, it is recommended to repurchase

6. WARNING

To avoid possible electric shock, do not immerse the switch in the water. If the switch falls into the water or becomes wet, do not touch it until you have unplugged it. Basic safety precautions that should be observed are as follows:

1. Read and follow this user manual strictly.

2. **DANGER-** To avoid possible electric shock, special care should be taken since water is employed in the use of aquarium equipment. For each of the following situations, do not attempt to repair yourself. Instead, return the heater to an authorized service facility for maintenance or discard it.

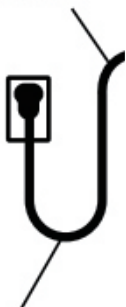
A. If the heater shows any sign of abnormal working or, unplug the power and remove the heater from the water after 15 minutes.

B. Carefully examine the heater after installation. It should not be plugged in if there is water on parts that are not intended to be wet.

C. Do not operate the heater if it has a damaged cord or plug, is malfunctioning, dropped, or damaged in any manner. The power cord of this heater cannot be replaced. If the cord is damaged, the heater should be discarded.

D. To avoid the possibility of the heater plug getting wet, position the aquarium and its stand to one side of a wall mounted outlet to prevent water from dripping onto the outlet or plug. A “drip loop”, shown in the figure below, should be arranged by the user for each cord, which connects the heater to the outlet. If an extension cord is used, the “drip loop” is the part of the cord below the level of the outlet or the connector that prevents water from traveling along the cord and coming in contact with the outlet. If the plug or outlet does get wet, **DO NOT** unplug the cord. Disconnect the fuse to the circuit breaker that supplies power to the heater. Then, unplug and examine for the presence of water in the outlet. If you are not sure, consult a certified electrician.

POWER CORD



DRIP LOOP

3. Close supervision is necessary when the heater is used near children.

4. This heater is not allowed to use by persons (including children) with reduced physical sensory or mental capabilities, or lack of experience and knowledge unless they have been given supervision or instruction concerning the use of the heater by a person responsible for their safety.

5. To avoid injury, do not contact moving or hot parts.

6. Always unplug the heater from the outlet when not in use, before putting on or taking off parts, maintenance, or placing hands in the water. Never yank the cord to pull the plug from the outlet. Grasp the plug and pull to disconnect.

7. Do not use the heater for other than intended use. The use of attachments not recommended or sold by the appliance manufacturer may cause an unsafe condition and will void the warranty.
8. Do not install or store the heater where it will be exposed to extreme weather or temperatures below freezing.
9. Only use the heater in freshwater or saltwater, do not use it in other liquids.
10. Make sure the heater is securely installed before operating it.
11. Read and observe all the important notices on the heater.
12. If an extension cord is necessary, a cord with a proper rating should be used, such as rated amperes or watts. A cord rated for fewer amperes or watts than the heater rating may overheat. Care should be taken to arrange the cord so that it will not be tripped over or pulled.
13. The 2-conductor power cord has a polarized plug (one blade is wider than the other.) As a safety feature, this plug will fit in a polarized outlet only one way. If the plug does not fit fully in the outlet, reverse the plug. If it still does not fit, contact a qualified electrician. Never use it with an extension cord unless the plug can be fully inserted. Do not attempt to defeat this safety feature.
14. The heater is intended FOR HOUSEHOLD USE ONLY.
15. SAVE THIS USER MANUAL.

7. ATTENTIONS

- √ Please check all the items to inspect their condition when unboxing the package.
- √ Please read this user manual carefully before using it and follow it strictly.
- √ Please choose a heater rated for your aquarium.
- √ Please place the heating rod in the way of water flow and don't bury it in the substrate.
- √ It is suggested that the heater is submerged more than 5 inches below the water.
- √ Please make sure the heating rod is fully submerged when it's on duty. Unplug the heater and wait for 15 minutes before changing the water or removing the heater.
- √ Please mind that the heater can be turned off automatically when exposed to air, but it is a last resort and should be avoided.
- √ After using the heater for a while, calcium carbonate contained in algae or moss may clump and adhere to the heating rod.
- √ If dirt adheres to the heating rod, use a sponge or cloth and water to wipe it. Do not use alcohol or other chemicals as this may damage the heater and harm the fish or other livestock.

- √ If you use the heater for a prolonged period with dirt adhered to the heating element, please be aware that failure may occur due to the inability to control the temperature correctly.
- √ Please place the heating rod far away from the magnetic brush since the magnet will possibly damage the heating element.
- √ There will be a little mist on the inner wall of the tube while heating, and it will disappear slowly after the heating stops, which means it's a normal phenomenon. So you don't have to worry about it, it is a safe and double-protected product that has passed the UL certification.

8. ONE YEAR LIMITED WARRANTY

This product **MUST** be purchased from an authorized hygger reseller. Visit our website for a list of authorized resellers. Hygger warrants this product against defects in materials and workmanship for ONE(1) YEAR from the date of the original retail purchase and is non-transferable.

Warranty on all products, including aquariums. But it is limited to the replacement of the products and does not cover fish loss, personal injury, property loss or direct, incidental or consequential damage caused by using this product.

Note: Hygger One-year Limited Warranty does not cover damage caused by the followings: improper installation, saltwater corrosion, electrical surges or modifications.

If you discover a defect, please contact hygger, who will, at its option, repair or replace the product at no charge, provided that you return it during the warranty period. A copy of the bill of sale is required as proof of the original purchase date in the event of the product needing repairs within the warranty period. Hygger does not warrant any products that are not hygger's.

This warranty does not apply if the product has been damaged by accident, abuse, misuse or misapplication, or modified without the written permission of hygger.

9. DISPOSAL

Do not dispose of this product as unsorted municipal waste. Collection of such waste separately for special treatment is necessary. This product has to be disposed of at an authorized place for the recycling of electrical and electronic appliances rather than being disposed of together with the domestic waste. Collecting and recycling waste is a way of saving natural resources. So, please consult with your local seller to make sure the product is disposed of in an environmentally friendly way.

10. PACKING LIST

- 1x heater rod with an external controller
- 2x suction cup
- 1x user manual

11. CONTACT INFORMATION

Distributed by:Hygger Aquarium,Inc.
Chino, CA 91710

E-mail: distributor@hyggeraquarium.com

Website: www.hyggeraquarium.com

Trademarks of Shenzhen Mago Trading Co.,Ltd
Bantian Group Business Center,Longgang,
Shenzhen City, China
All Rights Reserved

Made in China