



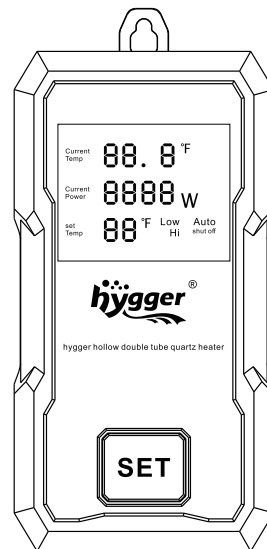
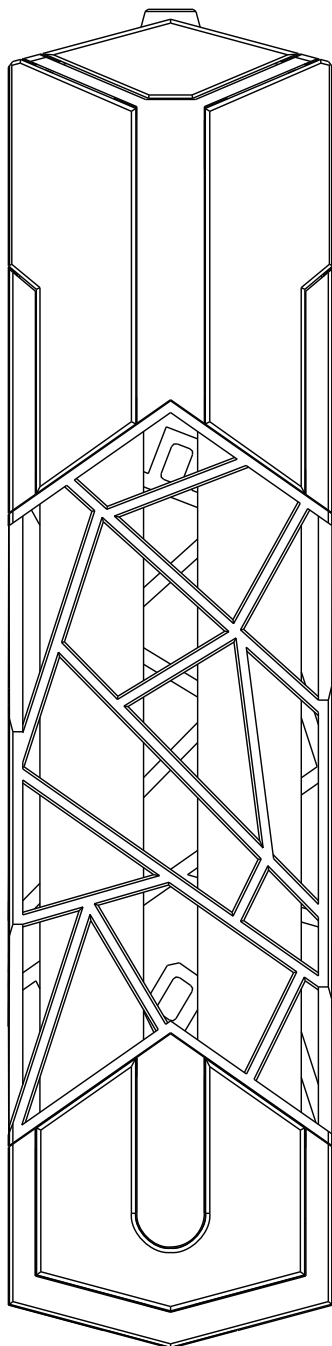
E-mail: distributor@hyggeraquarium.com

Website: www.hyggeraquarium.com



HG106 USER MANUAL

hygger hollow double tube quartz heater



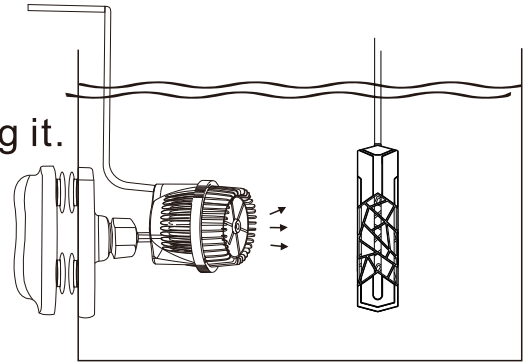
hygger double quartz heater is the perfect aquarium heater for your freshwater and saltwater aquariums.

****Reminder: The controller is not waterproof, do not allow it to get wet****



Attention:

- 1) Place the heater fully submersible when it's on duty. Unplug the heater and wait for 15 minutes before changing the water or removing it.
- 2) Please make sure there is enough water flow and water circulation in your fish tank when using the heater.
- 3) Please do not bury the heating rod or use it near the sand.
- 4) The actual temperature display tolerance range $\pm 10\%$ is acceptable because this is the normal power consumption of electronic components within the allowable range.



1. PRODUCT FEATURES

Rapid heat accumulation: The heating rod is made of explosion-proof quartz glass material and a high-temperature resistant nickel-chromium heating wire with silicon carbide heat conductivity; this results in faster water heating and safer, more durable, longer-lasting heating. The double heating rod makes it a more powerful heater, the hollow design makes the water flow more sufficient so that dissipation effect is better.

LED digital temperature display: LED digital display screen shows the current water temperature and the preset temperature in Fahrenheit, with additional features such as a Low/High temperature sign and an auto shut off warning sign. The external controller makes it easy for setting and operation. Every press changes the set temperature by 1°F (1°C). The beautiful marquee indicator light shows the heating status.

Precise temperature control: The marquee indicator light turns red and starts heating when the current water temperature is 1°F (1°C) lower than the set temperature. It shows power zero when the water temperature reaches the set temperature. The temperature range of the heating rod is from 59°F (15°C) to a maximum of 93°F (34°C) to prevent harm to livestock, and when the temperature reaches 95°F (35°C), a HH warning signal will be displayed.

Easy operation: Connect the heater to the socket to use it directly. The clear LED display is easy to read and has one key set for easy operation.

Auto power off and warning signal: When the heating rod is exposed to air, the heater will flash Auto shutoff on the screen and emit a warning signal. When the heating rod is completely immersed in the water, it will start working again.

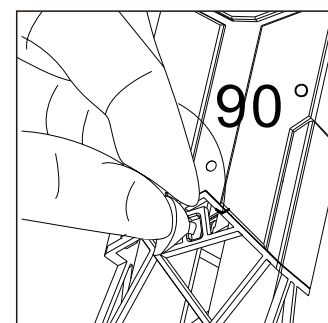
Accurate, reliable and durable: These double quartz tubes are made of premium materials and have a precise scientific design. Our heater will provide years of reliable use.

Memory function: If the power is shut off, the heater will keep the temperature settings until it powers on again.

Model	Volt./Freq.	Cord length	Application	Temp accuracy	Temp tolerance range	Control range	Heater rod dimension
HG106-400W	US standard: AC110~120V/60Hz	3.9ft+ 6.2ft (1.2m+ 1.9m)	40~95Gal (152~360L)	0.1°F (0.1°C)	±1°F (±1°C)	59-93°F (15-34°C)	11.6"× 2.8"×1.4" 29.5×7.2 ×3.4CM
HG106-600W	EU/UK/AU standard: AC220~240V/50Hz		66~150Gal (250~568L)				
HG106-900W	Japan standard: AC 100-120V/50-60Hz		90~250Gal (340~950L)				
HG106-1200W			130~300Gal (492~1150L)				

2. INSTRUCTIONS

- A) Install the sucking cup onto the heater rod, and turn it 90° to lock the cups.
 B) Connect the heater to the socket to use it directly.



3. MAINTENANCE

- Unplug or switch off all appliances in the aquarium before carrying out maintenance.
- Do not use detergents or other chemical cleaners.
- To clean the heater, unplug it first and then leave the heater in the tank for 15 minutes and remove it from the tank. Wash the heater in clean water.
- When reinstalling the heater, select your desired location and position the heater below the water.
- This appliance has no parts that can be repaired by users.
- For indoor use only, not in the bathroom.

4. TROUBLESHOOTING

Fault code	Explanation	Solutions
LL	The tank temperature is lower than 59°F(15°C).	Raise the temperature
HH	The tank temperature reach 95°F(35°C).	Lower the temperature
EE	Sensor fault	Return to the seller

5. WARNING

To avoid possible electric shock, do not immerse the switch in the water. If the switch falls into the water or becomes wet, do not touch it until you have unplugged it. Basic safety precautions that should be observed are as follows:

1. Read and follow this user manual strictly.
2. **DANGER-** To avoid possible electric shock, special care should be taken since water is employed in the use of aquarium equipment. For each of the following situations, do not attempt to repair yourself. Instead, return the heater to an authorized service facility for maintenance or discard it.
 - A. If the heater shows any sign of abnormal working, unplug the power and remove the heater from the water after 15 minutes.
 - B. Carefully examine the heater after installation. It should not be plugged in if there is water on parts that are not intended to be wet.
 - C. Do not operate the heater if it has a damaged cord or plug, is malfunctioning, dropped or damaged in any manner. The power cord of this heater cannot be replaced. If the cord is damaged, the heater should be discarded.
 - D. To avoid the possibility of the heater plug getting wet, position the aquarium and its stand to one side of a wall mounted outlet to prevent water from dripping onto the outlet or plug. A “drip loop”, shown in the figure below, should be arranged by the user for each cord, which connects the heater to the outlet. If an extension cord is used, the “drip loop” is the part of the cord below the level of the outlet or the connector that prevents water from traveling along the cord and coming in contact with the outlet. If the plug or outlet does get wet, **DO NOT** unplug the cord. Disconnect the fuse to the circuit breaker that supplies power to the heater. Then unplug and examine for the presence of water in the outlet. If you are not sure, consult a certified electrician.

POWER CORD



DRIP LOOP

3. Close supervision is necessary when the heater is used near children.
4. This heater is not allowed to use by persons (including children) with reduced physical sensory or mental capabilities or lack of experience and knowledge unless they have been given supervision or instruction concerning the use of the heater by a person responsible for their safety.
5. To avoid injury, do not contact moving or hot parts.
6. Always unplug the heater from the outlet when not in use, before putting on or taking off parts, maintenance or placing hands in the water. Never yank the cord to pull the plug from the outlet. Grasp the plug and pull to disconnect.

7. Do not use the heater for other than intended use. The use of attachments not recommended or sold by the appliance manufacturer may cause an unsafe condition and will void the warranty.
8. Do not install or store the heater where it will be exposed to extreme weather or temperatures below freezing.
9. Only use the heater in freshwater or saltwater, do not use it in other liquids.
10. Make sure the heater is securely installed before operating it.
11. Read and observe all the important notices on the heater.
12. If an extension cord is necessary, a cord with a proper rating should be used, such as rated amperes or watts. A cord rated for fewer amperes or watts than the heater rating may overheat. Care should be taken to arrange the cord so that it will not be tripped over or pulled.
13. The heater is intended FOR HOUSEHOLD USE ONLY.
14. SAVE THIS USER MANUAL.

6.ATTENTIONS

- ✓ Please check all the items to inspect their condition when unboxing the package.
- ✓ Please read this user manual carefully before using and follow it strictly.
- ✓ Please choose a heater rated for your aquarium.
- ✓ Please place the heating rod in the way of water flow and don't bury it in the substrate.
- ✓ It is suggested that the heater is submerged more than 5 inches below the water.
- ✓ Please make sure the heating rod is fully submerged when it's on duty. Unplug the heater and wait for 15 minutes before changing the water or removing the heater.
- ✓ Please mind that the heater can be turned off automatically when exposed to air, but it is a last resort and should be avoided.
- ✓ After using the heater for a while, calcium carbonate contained in algae or moss may clump and adhere to the heating rod.
- ✓ If dirt adheres to the heating rod, use a sponge or cloth and water to wipe it. Do not use alcohol or other chemicals as this may damage the heater and harm the fish or other livestock.
- ✓ If you use the heater for a prolonged period with dirt adhered to the heating element, please be aware that failure may occur due to the inability to control the temperature correctly.
- ✓ Please place the heating rod far away from the magnetic brush since the magnet will possibly damage the heating element.
- ✓ There will be a little mist on the inner wall of the tube while heating, and it will disappear slowly after the heating stops, which means it's a normal phenomenon. So you don't have to worry about it, it is a safe and double-protected product that has passed the UL certification.

7. ONE YEAR LIMITED WARRANTY

This product **MUST** be purchased from an authorized hygger reseller. Visit our website for a list of unauthorized resellers. hygger warrants this product against defects in materials and workmanship for **ONE(1) YEAR** from the date of the original retail purchase and is none-transferable. Warranty on all products, including aquariums. But it is limited to the replacement of the products and does not cover fish loss, personal injury, property loss or direct, incidental or consequential damage caused by using this product.

Note: hygger One-year Limited Warranty does not cover damage caused by the followings: improper installation, saltwater corrosion, electrical surges or modifications. Additionally, products that have been refunded are also not covered under the warranty.

If you discover a defect, please contact hygger, who will, at it's option, repair or replace the product at no charge, provided that you return it during the warranty period. A copy of the bill of sale is required as a proof of the original purchase date in the event of the product needing repairs within the warranty period. hygger does not warrant any products that aren't hygger's.

This warranty does not apply if the product has been damaged by accident, abuse, misuse or misapplication, or modified without the written permission of hygger.

8. DISPOSAL

Do not dispose this product as unsorted municipal waste. Collection of such waste separately for special treatment is necessary. This product has to be disposed at an authorized place for the recycling of electrical and electronic appliances rather than being disposed together with the domestic waste. Collecting and recycling waste is a way of saving natural resources. So, please consult with your local seller to make sure the product is disposed in an environmentally friendly way.

9. PACKING LIST

- 1x Heater rod
- 1x Controller holder
- 1x 3pcs suction cups (includes 1pc spare part)
- 1x Hook
- 1x Clean brush

10.CONTACT INFORMATION

Distributed by:Hygger Aquarium,Inc.
Chino, CA 91710

E-mail: distributor@hyggeraquarium.com

Website: www.hyggeraquarium.com

Trademarks of Shenzhen Mago Trading Co.,Ltd
Bantian Group Business Center,Longgang,
Shenzhen City, China
All Rights Reserved

Made in China