



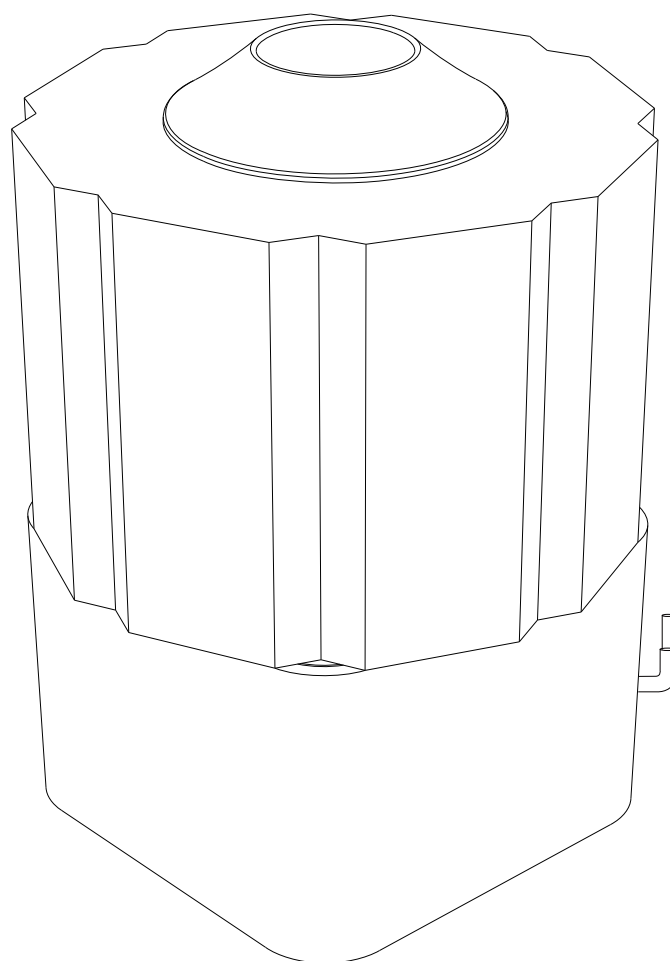
E-mail: distributor@hyggeraquarium.com

Website: www.hyggeraquarium.com



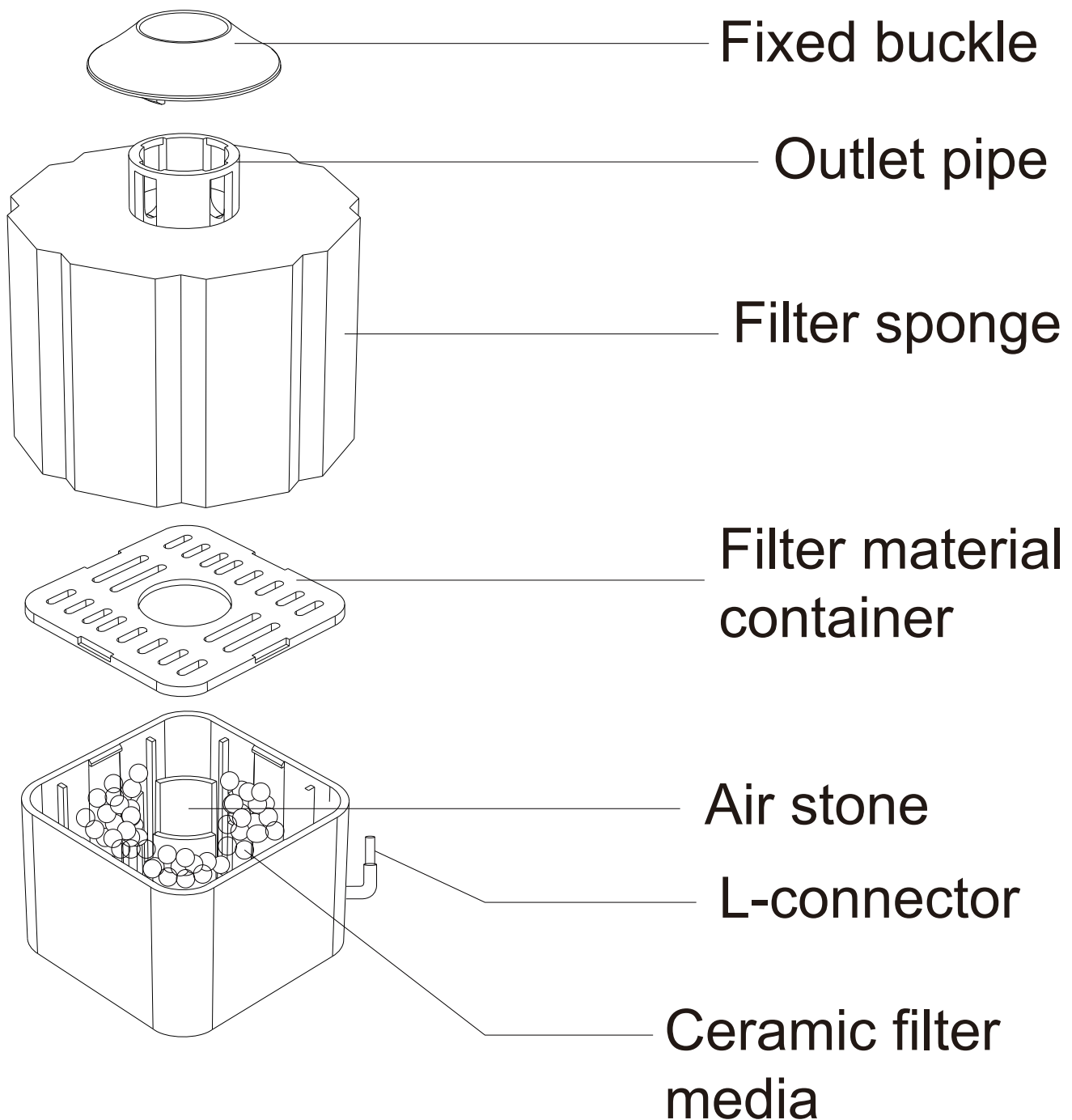
HG117 USER MANUAL

hygger aquarium biochemical sponge filter



ATTENTION: There are two bio sponges in the filter, please take out one of them and use it as a replacement cotton. Only one sponge is left on the filter. Due to the long transportation time, the sponge may be deformed, please put the sponge in the water for 10-30 minutes to restore the original shape.

1. PRODUCT DIAGRAM



2. PRODUCT FEATURES

More efficient and durable: Super biochemical sponge design and made of premium materials. Sponges means more surface area for

beneficial bacteria filtering and making the aquarium water crystal clear. It also can remove the peculiar smell.

Mechanical and biological filtration: Container with ceramic pearls and biochemical sponge. Both are easily replaceable.

Increase dissolved oxygen and cultivate beneficial bacterial: Ceramic pearls filtration media will remove harmful substance and increase dissolved oxygen.

Properly increase oxygen levels: Air stones can produce fine bubbles for oxygen replacement to add oxygen and circulate nutrition to your hydroponic growing system. It creates a circle of bubbles that helps keep healthy fish and adds to the beauty of the aquarium.

Easy to set up and clean: It is easy to install this sponge filter and easy to clean all parts of sponge and ceramic pearls. You can also replace the ceramic pearls with other bio filter media.

Suitable for shrimp, betta, tropical fish, planted tanks or others

3.PRODUCT SPECIFICATIONS

Model	HG117-S	HG117-M
Size	2.95"x2.95"x3.94" (7.5*7.5*10CM)	2.95"x2.95"x6.1" (7.5*7.5*15.5CM)
Material	ABS+PVC+ Filter cotton	ABS+PVC+ Filter cotton
Applicable aquarium height	Below 40cm	Below 60cm

4. PACKAGE INCLUDED:

- 1* Filter with media container
- 1* Sponge replacement
- 1* User manual

5. METHOD OF APPLICATION

Please install the filter according to the following steps:

Step1. Take off the filtered buckle

Step2. Remove the sponges from the filter.

Step3. Open the container. There are four grooves on the lid of the container. Recommended to use a screwdriver to pry up the lid and open it. Fill the filter material and install it.

Step4. Install the air stone.

Step5. Secure the lid to the ceramic pearls container well. Secure the sponges to the filter.

Step6. Install the fixed buckle. Align the convex part of the fixed buckle with the groove part of the out pipe, press down gently. It must be installed according to the card slot, otherwise the fixed buckle is easy to damage.

Step7. Insert the L-connector into the hole of the filter container, and the other end is connected to the air tube suitable for 4mm/0.16" (Inner diameter) air tubing.

Step8. Put this product completely into the water, squeeze the sponge repeatedly, making sure the air is completely out of a sponge. After the sponge is full of water, the filter can sink to the bottom of the Aquarium.

Step9. This product needs to be connected to an air pump. It is recommended to use a check valve on the air pipe to prevent water from flowing back to the air pump.

Step10. When cleaning the filter cotton, please use the water in the aquarium to prevent damaging the formation of good bacteria.

6.WARNING

- a. Don't use tap water or hot water to clean the biochemical sponge filter.
- b. Make sure cleaning the filter with tank water.
- c. Make sure the sponge filter is on vertically, otherwise the pipe will be blocked by the ceramic pearls.
- d. Clean the filter with tank water every 2 ~ 4 weeks.
- e. We recommend replacing the sponge and ceramic pearls every 5 ~ 6 months.

7.WARRANTY

1. 1-year free warranty.
2. 1-month free return.
3. Free replacement for 3 months.

8. CONTACT INFORMATION:

Distributed by: Hygger Aquarium, Inc.
13941 Magnolia Ave, Chino, CA 91710

E-mail: distributor@hyggeraquarium.com

Website: www.hyggeraquarium.com

Trademarks of Shenzhen Mago Trading Co., Ltd
Bantian Group Business Center, Longgang,
Shenzhen City, China

All Rights Reserved

Made in China

EC

REP

E-CrossStu GmbH
Mainzer Landstr.69, Frankfurt am Main,
Baden-Württemberg, 60329, Germany
E-CrossStu@web.de
+49 69332967674

UK

REP

YH Consulting Limited
C/O YH Consulting Limited Office
147, Centurion House, London Road,
Staines-upon-Thames, Surrey,
TW18 4AX, London
H2YHUK@gmail.com
+44 07514-677868



MADE IN CHINA

5